



THE SOUTH AUSTRALIAN GOVERNMENT GAZETTE

PUBLISHED BY AUTHORITY

ADELAIDE, THURSDAY, 7 JUNE 2018

CONTENTS

Appointments, Resignations, Etc.....	2102	National Electricity Law—Notice	2129
Building Work Contractors Act 1995—Notice.....	2102	National Gas Law—Notice	2130
Corporations and District Councils—Notices.....	2129	Pastoral Land Management and Conservation Act 1989	
Defamation Act 2005—Notice.....	2102	—Notice	2117
Environment Protection Act 1993—Notices	2103	Proclamation.....	2119
Firearms Regulations 2017—Notice.....	2113	Proof of Sunrise and Sunset Act 1923—Notice.....	2117
Geographical Names Act 1991—Notice.....	2113	REGULATIONS	
Government Financing Authority Act 1982—Notice	2113	Development Act 1993—(No. 70 of 2018).....	2120
Housing Improvement Act 2016—Notices.....	2113	RULES OF COURT	
Mental Health Act 2009—Notice	2114	Supreme Court Civil Supplementary Rules 2014—	
Mining Act 1971—Notices.....	2114	(Amendment No. 9)	2124
Motor Vehicle Accidents (Lifetime Support Scheme)		Trustee Act 1936—Administration of Estates	2130
Act 2013—Notice	2117		

All public Acts appearing in this gazette are to be considered official, and obeyed as such

Department of the Premier and Cabinet
Adelaide, 7 June 2018

His Excellency the Governor in Executive Council has been pleased to appoint the undermentioned to the South Australian Health Practitioners Tribunal, pursuant to the provisions of the Health Practitioner Regulation National Law (South Australia) Act 2010:

Deputy President: from 1 July 2018 until 30 June 2019
Gregory Ronald Alfred Clark

By command,

STEVEN SPENCE MARSHALL
Premier

HEAC-2018-00016

Department of the Premier and Cabinet
Adelaide, 7 June 2018

His Excellency the Governor in Executive Council has been pleased to appoint Michelle Shepherd as a part-time Commissioner of the Australian Energy Market Commission for a term commencing on 11 June 2018 and expiring on 10 June 2021, subject to the provisions of the Australian Energy Market Commission Establishment Act 2004 (South Australia) - pursuant to the provisions of the Australian Energy Market Commission Establishment Act 2004 (South Australia).

By command,

STEVEN SPENCE MARSHALL
Premier

MEM18-004CS

BUILDING WORK CONTRACTORS ACT 1995

Exemption

TAKE notice that, pursuant to section 45 of the *Building Work Contractors Act 1995*, I, Dini Soulio, Commissioner for Consumer Affairs, do hereby exempt the licensee named in Schedule 1 from the application of Division 3 of Part 5 of the above Act in relation to domestic building work described in Schedule 2 and subject to the conditions specified in Schedule 3.

SCHEDULE 1

David Stuart Powell (BLD 164494)

SCHEDULE 2

Construction in relation to an extension and renovation to the existing dwelling on land situated at Allotment 7 in Deposited Plan 3606 in the area named Warradale, Hundred of Noarlunga, being a portion of the land described in Certificate of Title Volume 5676 Folio 199, more commonly known as 79 Wilton Avenue, Warradale, South Australia 5046.

SCHEDULE 3

1. This exemption is limited to domestic building work personally performed by the licensee in relation to the building work described in Schedule 2.
2. This exemption does not apply to any domestic building work the licensee contracts to another building work contractor, for which that contractor is required by law to hold building indemnity insurance.
3. That the licensee does not transfer his interest in the land prior to five years from the date of completion of the building work the subject of this exemption, without the prior authorisation of the Commissioner for Consumer Affairs. Before giving such authorisation, the Commissioner for Consumer Affairs may require the licensee to take any reasonable steps to protect the future purchaser(s) of the property, including but not limited to:
 - Providing evidence that an adequate policy of building indemnity insurance is in force to cover the balance of the five-year period from the date of completion of the building work the subject of this exemption;
 - Providing evidence of an independent expert inspection of the building work the subject of this exemption;
 - Making an independent expert report available to prospective purchasers of the property;
 - Giving prospective purchasers of the property notice of the absence of a policy of building indemnity insurance.

Dated: 29 May 2018

DINI SOULIO
Commissioner for Consumer Affairs
Delegate for the Attorney-General

Ref: 601/18-00067

DEFAMATION ACT 2005

Declaration under Section 33(3)

I, VICKIE CHAPMAN, Attorney-General, being the Minister to whom administration of the *Defamation Act 2005* is committed, HEREBY DECLARE in accordance with sub-section (3) of section 33 of the *Defamation Act 2005* that on and from 1 July 2018 the maximum amount of damages that may be awarded for non-economic loss in defamation proceedings shall be THREE HUNDRED AND NINETY EIGHT THOUSAND FIVE HUNDRED DOLLARS (\$398,500).

VICKIE CHAPMAN
Attorney-General

CSO 18/0379

ENVIRONMENT PROTECTION ACT 1993

SECTION 68

Approval of Category B Containers

I, Eliseo Palumbo, Team Leader, Container Deposit Legislation and Delegate of the Environment Protection Authority ('the Authority'), pursuant to Section 68 of the Environment Protection Act, 1993 (SA) ('the Act') hereby:

Approval of Category B Containers:

Approve as Category B Containers, subject to the conditions in subclauses 1, 2, 3 and 4 below, each of the classes of containers identified by reference to the following matters described in the first 4 columns of Schedule 1 of this Notice which are sold in South Australia:

- (a) the product which each class of containers shall contain;
- (b) the size of the containers;
- (c) the type of containers;
- (d) the name of the holders of these approvals.

1. That containers of the class to which the approval relates must bear the refund marking specified by the Authority for containers of that class. The Authority specifies the following refund markings for Category B containers:

- (1) "10c refund at collection depots when sold in SA",
- Or
- (2) "10c refund at SA/NT collection depots in State/Territory of purchase"
- Or
- (3) "10c refund at collection depots/points in participating state/territory of purchase"

2. The holder of the approval must have in place an effective and appropriate waste management arrangement in relation to containers of that class. For the purpose of this approval notice the company named in column 5 of Schedule 1 of this Notice is the nominated super collector.

3. In the case of an approval in relation to category B containers that the waste management arrangement must require the holder of the approval to provide specified super collectors with a declaration in the form determined by the Authority in relation to each sale of such containers by the holder of the approval as soon as practicable after the sale";

4. The holder of these approvals must ensure that if a sticker bearing the refund marking has been approved, and is applied to the container, then the sticker must not be placed on any portion of the opening mechanism or in any other place that would require complete or partial removal of the sticker before the contents may be consumed.

SCHEDULE 1

Column 1 Product Name	Column 2 Container Size	Column 3 Container Type	Column 4 Approval Holder	Column 5 Collection Arrangements
4 Pines Keller Door Big Brekky Porter	500 ml	Glass	4 Pines Brewing Company Wholesale Pty Ltd	Marine Stores Ltd
Cobbs Hill Pale Ale	330 ml	Glass	Adelaide Hills Craft Brewing Pty Ltd t/as Lobethal Bierhaus	Marine Stores Ltd
Cobbs Hill Pilsner	330 ml	Glass	Adelaide Hills Craft Brewing Pty Ltd t/as Lobethal Bierhaus	Marine Stores Ltd
Lobethal Bierhaus Buckwheat Special Ale	330 ml	Glass	Adelaide Hills Craft Brewing Pty Ltd t/as Lobethal Bierhaus	Marine Stores Ltd
Lobethal Bierhaus Chickpea Special Ale	330 ml	Glass	Adelaide Hills Craft Brewing Pty Ltd t/as Lobethal Bierhaus	Marine Stores Ltd
Lobethal Bierhaus Dark Special Ale	330 ml	Glass	Adelaide Hills Craft Brewing Pty Ltd t/as Lobethal Bierhaus	Marine Stores Ltd
Lobethal Bierhaus Millet Special Ale	330 ml	Glass	Adelaide Hills Craft Brewing Pty Ltd t/as Lobethal Bierhaus	Marine Stores Ltd
Lobethal Bierhaus Session Ale	330 ml	Glass	Adelaide Hills Craft Brewing Pty Ltd t/as Lobethal Bierhaus	Marine Stores Ltd
Lobethal Bierhaus Special Ale	330 ml	Glass	Adelaide Hills Craft Brewing Pty Ltd t/as Lobethal Bierhaus	Marine Stores Ltd
Lobethal Bierhaus Triticale Special Ale	330 ml	Glass	Adelaide Hills Craft Brewing Pty Ltd t/as Lobethal Bierhaus	Marine Stores Ltd
Sodahaus Tonic Water	330 ml	Glass	Adelaide Hills Craft Brewing Pty Ltd t/as Lobethal Bierhaus	Marine Stores Ltd
Aqua To Go Spring Water	500 ml	PET	Aquaworks Pty Ltd	Statewide Recycling
Untold Spiced Rum With Ginger Beer	200 ml	Can - Aluminium	Asahi Premium Beverages	Statewide Recycling
Wild Moose Canadian Whisky & Dry Lime	200 ml	Can - Aluminium	Asahi Premium Beverages	Statewide Recycling
Woodstock Easy Roller Blended Bourbon With Ginger Beer	200 ml	Can - Aluminium	Asahi Premium Beverages	Statewide Recycling
Dreher Classic Beer	330 ml	Glass	Baka Aus Pty Ltd T/AS Eurogarden	Statewide Recycling
Dreher Classic Beer	500 ml	Glass	Baka Aus Pty Ltd T/AS Eurogarden	Statewide Recycling

Column 1 Product Name	Column 2 Container Size	Column 3 Container Type	Column 4 Approval Holder	Column 5 Collection Arrangements
Vis Vitalis Sparkling Mineral Water	800 ml	PET	Baka Aus Pty Ltd T/AS Eurogarden	Statewide Recycling
Vis Vitalis Sparkling Mineral Water	400 ml	PET	Baka Aus Pty Ltd T/AS Eurogarden	Statewide Recycling
Angasi Coffin Bay Oyster Stout	640 ml	Glass	Beer Garden Brewing	Statewide Recycling
Jusfrute 50% Orange Nectar	3000 ml	HDPE	Bevco Pty Ltd	Statewide Recycling
Macquarie Valley Apple & Blackcurrant Juice No Added Sugar	350 ml	PET	Bevco Pty Ltd	Statewide Recycling
Macquarie Valley Apple & Blackcurrant Juice No Added Sugar	200 ml	PET	Bevco Pty Ltd	Statewide Recycling
Macquarie Valley Apple & Guava Juice No Added Sugar	350 ml	PET	Bevco Pty Ltd	Statewide Recycling
Macquarie Valley Apple Juice No Added Sugar	500 ml	PET	Bevco Pty Ltd	Statewide Recycling
Macquarie Valley Apple Juice No Added Sugar	350 ml	PET	Bevco Pty Ltd	Statewide Recycling
Macquarie Valley Apple Juice No Added Sugar	375 ml	PET	Bevco Pty Ltd	Statewide Recycling
Macquarie Valley Apple Juice No Added Sugar	200 ml	PET	Bevco Pty Ltd	Statewide Recycling
Macquarie Valley Old Style Lemonade Fruit Drink 15% Fruit Juice	350 ml	PET	Bevco Pty Ltd	Statewide Recycling
Macquarie Valley Orange & Mango Drink 35%	200 ml	PET	Bevco Pty Ltd	Statewide Recycling
Macquarie Valley Orange & Mango Drink 35% Fruit Juice	375 ml	PET	Bevco Pty Ltd	Statewide Recycling
Macquarie Valley Orange & Mango Drink 35% Fruit Juice	500 ml	PET	Bevco Pty Ltd	Statewide Recycling
Macquarie Valley Orange & Mango Drink 35% Fruit Juice	2000 ml	HDPE	Bevco Pty Ltd	Statewide Recycling
Macquarie Valley Orange & Mango Juice No Added Sugar	500 ml	PET	Bevco Pty Ltd	Statewide Recycling
Macquarie Valley Orange & Passionfruit Drink 35%	200 ml	PET	Bevco Pty Ltd	Statewide Recycling
Macquarie Valley Orange & Passionfruit Drink 35% Fruit Juice	375 ml	PET	Bevco Pty Ltd	Statewide Recycling
Macquarie Valley Orange & Passionfruit Drink 35% Fruit Juice	500 ml	PET	Bevco Pty Ltd	Statewide Recycling
Macquarie Valley Orange & Passionfruit Drink 35% Fruit Juice	2000 ml	HDPE	Bevco Pty Ltd	Statewide Recycling
Macquarie Valley Orange & Passionfruit Juice No Added Sugar	375 ml	PET	Bevco Pty Ltd	Statewide Recycling
Macquarie Valley Orange & Passionfruit Juice No Added Sugar	500 ml	PET	Bevco Pty Ltd	Statewide Recycling
Macquarie Valley Orange & Passionfruit Juice No Added Sugar	200 ml	PET	Bevco Pty Ltd	Statewide Recycling
Macquarie Valley Orange Drink 35% Fruit Juice	2000 ml	HDPE	Bevco Pty Ltd	Statewide Recycling
Macquarie Valley Orange Drink 35% Fruit Juice	375 ml	PET	Bevco Pty Ltd	Statewide Recycling
Macquarie Valley Orange Drink 35% Fruit Juice	500 ml	PET	Bevco Pty Ltd	Statewide Recycling
Macquarie Valley Orange Juice No Added Sugar	375 ml	PET	Bevco Pty Ltd	Statewide Recycling
Macquarie Valley Orange Juice No Added Sugar	200 ml	PET	Bevco Pty Ltd	Statewide Recycling
Macquarie Valley Orange Juice No Added Sugar	350 ml	PET	Bevco Pty Ltd	Statewide Recycling
Macquarie Valley Orange Juice No Added Sugar	500 ml	PET	Bevco Pty Ltd	Statewide Recycling
Macquarie Valley Pineapple Juice No Added Sugar	500 ml	PET	Bevco Pty Ltd	Statewide Recycling
Macquarie Valley Pineapple Juice No Added Sugar	350 ml	PET	Bevco Pty Ltd	Statewide Recycling
Macquarie Valley Premium Orange Juice	375 ml	PET	Bevco Pty Ltd	Statewide Recycling
Macquarie Valley Premium Orange Juice	200 ml	PET	Bevco Pty Ltd	Statewide Recycling
Macquarie Valley Premium Orange Juice	500 ml	PET	Bevco Pty Ltd	Statewide Recycling

Column 1 Product Name	Column 2 Container Size	Column 3 Container Type	Column 4 Approval Holder	Column 5 Collection Arrangements
Macquarie Valley Preservative Free Tomato Juice	350 ml	PET	Bevco Pty Ltd	Statewide Recycling
Macquarie Valley Tropical Juice No Added Sugar	350 ml	PET	Bevco Pty Ltd	Statewide Recycling
Orchy 100% Fruit Juice Smoothie Passionfruit Mango & Banana	350 ml	PET	Bevco Pty Ltd	Statewide Recycling
Orchy 50% Orange Nectar Fruit Juice Drink	2000 ml	HDPE	Bevco Pty Ltd	Statewide Recycling
Orchy Apple & Blackcurrant Juice	200 ml	PET	Bevco Pty Ltd	Statewide Recycling
Orchy Apple & Blackcurrant Juice	500 ml	PET	Bevco Pty Ltd	Statewide Recycling
Orchy Apple & Blackcurrant Juice	375 ml	PET	Bevco Pty Ltd	Statewide Recycling
Orchy Apple & Blackcurrant Juice	350 ml	PET	Bevco Pty Ltd	Statewide Recycling
Orchy Apple & Guava Juice	350 ml	PET	Bevco Pty Ltd	Statewide Recycling
Orchy Apple Juice	500 ml	PET	Bevco Pty Ltd	Statewide Recycling
Orchy Apple Juice	375 ml	PET	Bevco Pty Ltd	Statewide Recycling
Orchy Apple Juice	350 ml	PET	Bevco Pty Ltd	Statewide Recycling
Orchy Apple Juice	200 ml	PET	Bevco Pty Ltd	Statewide Recycling
Orchy Cranberry Fruit Drink	350 ml	PET	Bevco Pty Ltd	Statewide Recycling
Orchy Cranberry Fruit Drink	2000 ml	PET	Bevco Pty Ltd	Statewide Recycling
Orchy Fruit Smoothie Mango Apple & Banana	350 ml	PET	Bevco Pty Ltd	Statewide Recycling
Orchy Guava Nectar	2000 ml	PET	Bevco Pty Ltd	Statewide Recycling
Orchy Mango Nectar	2000 ml	PET	Bevco Pty Ltd	Statewide Recycling
Orchy Old Style Lemonade Fruit Drink	350 ml	PET	Bevco Pty Ltd	Statewide Recycling
Orchy Orange & Passionfruit Fruit Drink	1000 ml	PET	Bevco Pty Ltd	Statewide Recycling
Orchy Orange & Passionfruit Fruit Drink	350 ml	PET	Bevco Pty Ltd	Statewide Recycling
Orchy Orange & Passionfruit Juice	500 ml	PET	Bevco Pty Ltd	Statewide Recycling
Orchy Orange & Passionfruit Juice	200 ml	PET	Bevco Pty Ltd	Statewide Recycling
Orchy Orange & Passionfruit Juice	375 ml	PET	Bevco Pty Ltd	Statewide Recycling
Orchy Orange Fruit Drink	500 ml	PET	Bevco Pty Ltd	Statewide Recycling
Orchy Orange Fruit Drink	375 ml	PET	Bevco Pty Ltd	Statewide Recycling
Orchy Orange Fruit Drink	1000 ml	PET	Bevco Pty Ltd	Statewide Recycling
Orchy Orange Juice	200 ml	PET	Bevco Pty Ltd	Statewide Recycling
Orchy Orange Juice	350 ml	PET	Bevco Pty Ltd	Statewide Recycling
Orchy Orange Juice	375 ml	PET	Bevco Pty Ltd	Statewide Recycling
Orchy Orange Juice	500 ml	PET	Bevco Pty Ltd	Statewide Recycling
Orchy Orange Mango Fruit Drink	375 ml	PET	Bevco Pty Ltd	Statewide Recycling
Orchy Orange Mango Fruit Drink	2000 ml	HDPE	Bevco Pty Ltd	Statewide Recycling
Orchy Orange Mango Fruit Drink	500 ml	PET	Bevco Pty Ltd	Statewide Recycling
Orchy Orange Mango Juice	375 ml	PET	Bevco Pty Ltd	Statewide Recycling
Orchy Orange Mango Juice	500 ml	PET	Bevco Pty Ltd	Statewide Recycling
Orchy Orange Passio Nectar	1000 ml	PET	Bevco Pty Ltd	Statewide Recycling
Orchy Orange Passio Nectar	375 ml	PET	Bevco Pty Ltd	Statewide Recycling
Orchy Orange Passio Nectar	2000 ml	HDPE	Bevco Pty Ltd	Statewide Recycling
Orchy Orange Passio Nectar	500 ml	PET	Bevco Pty Ltd	Statewide Recycling
Orchy Orange Passio Nectar 35% Fruit Juice	3000 ml	HDPE	Bevco Pty Ltd	Statewide Recycling
Orchy Pineapple Juice	350 ml	PET	Bevco Pty Ltd	Statewide Recycling

Column 1 Product Name	Column 2 Container Size	Column 3 Container Type	Column 4 Approval Holder	Column 5 Collection Arrangements
Orchy Pineapple Juice	500 ml	PET	Bevco Pty Ltd	Statewide Recycling
Orchy Premium Orange Juice	500 ml	PET	Bevco Pty Ltd	Statewide Recycling
Orchy Premium Orange Juice	375 ml	PET	Bevco Pty Ltd	Statewide Recycling
Orchy Preservative Free Apple & Blackcurrant Juice	250 ml	PET	Bevco Pty Ltd	Statewide Recycling
Orchy Preservative Free Apple Juice	250 ml	PET	Bevco Pty Ltd	Statewide Recycling
Orchy Preservative Free Orange & Passionfruit Juice	250 ml	PET	Bevco Pty Ltd	Statewide Recycling
Orchy Preservative Free Orange Juice	250 ml	PET	Bevco Pty Ltd	Statewide Recycling
Orchy Preservative Free Pineapple Juice	250 ml	PET	Bevco Pty Ltd	Statewide Recycling
Orchy Preservative Free Tomato Juice	250 ml	PET	Bevco Pty Ltd	Statewide Recycling
Orchy Tomato Juice	350 ml	PET	Bevco Pty Ltd	Statewide Recycling
Orchy Tropical Juice	350 ml	PET	Bevco Pty Ltd	Statewide Recycling
Pure Active Natural Springwater	1000 ml	PET	Bevco Pty Ltd	Statewide Recycling
Pure Active Natural Springwater	600 ml	PET	Bevco Pty Ltd	Statewide Recycling
Pure Active Natural Springwater	1500 ml	PET	Bevco Pty Ltd	Statewide Recycling
Pure Active Natural Springwater	350 ml	PET	Bevco Pty Ltd	Statewide Recycling
Bodriggy BBC Draught	355 ml	Can - Aluminium	Bodriggy Brewing Company	Statewide Recycling
Bodriggy BBC Staunch Pilsner	355 ml	Can - Aluminium	Bodriggy Brewing Company	Statewide Recycling
Bodriggy Chuckaboo White IPA	330 ml	Can - Aluminium	Bodriggy Brewing Company	Statewide Recycling
Bodriggy Cosmic Microwave NEIPA	355 ml	Can - Aluminium	Bodriggy Brewing Company	Statewide Recycling
Bodriggy Gongim Red IPA	355 ml	Can - Aluminium	Bodriggy Brewing Company	Statewide Recycling
Bodriggy Highbinder Pale Ale	330 ml	Can - Aluminium	Bodriggy Brewing Company	Statewide Recycling
Bodriggy Speccy Juice Session IPA	355 ml	Can - Aluminium	Bodriggy Brewing Company	Statewide Recycling
Appy Kids Co Summer Berries Fruit Drink	200 ml	LPB - Aseptic	CTC Australia	Statewide Recycling
Appy Kids Co Tropical Fruit Drink	200 ml	LPB - Aseptic	CTC Australia	Statewide Recycling
CForce Natural Artesian Water	1000 ml	PET	Calais Industries Pty Ltd Tas Calais Water Distribution	Marine Stores Ltd
CForce Natural Artesian Water	350 ml	PET	Calais Industries Pty Ltd Tas Calais Water Distribution	Marine Stores Ltd
CForce Natural Artesian Water	500 ml	PET	Calais Industries Pty Ltd Tas Calais Water Distribution	Marine Stores Ltd
Coca Cola Orange no Sugar	1250 ml	PET	Coca Cola Amatil (Aust) Pty Ltd	Statewide Recycling
Coca Cola Orange no Sugar	600 ml	PET	Coca Cola Amatil (Aust) Pty Ltd	Statewide Recycling
Coca Cola Orange no Sugar	250 ml	PET	Coca Cola Amatil (Aust) Pty Ltd	Statewide Recycling
Coca Cola Orange no Sugar	200 ml	Can - Aluminium	Coca Cola Amatil (Aust) Pty Ltd	Statewide Recycling
Coca Cola Orange no Sugar	250 ml	Can - Aluminium	Coca Cola Amatil (Aust) Pty Ltd	Statewide Recycling
Powerade ION 4 Pineapple Storm	600 ml	PET	Coca Cola Amatil (Aust) Pty Ltd	Statewide Recycling
Colonial Brewing Co Bombers Kolsch Ale	375 ml	Can - Aluminium	Colonial Brewing Co	Statewide Recycling
Galvanina Organic Blood Orange Italian Sparkling Fruit Beverage	1000 ml	Glass	Costco Wholesale Australia Pty Ltd	Statewide Recycling
Perrier Carbonated Natural Mineral Water	250 ml	Can - Aluminium	Costco Wholesale Australia Pty Ltd	Statewide Recycling
Roar Blue Raspberry Electrolyte Infusions	591 ml	PET	Costco Wholesale Australia Pty Ltd	Statewide Recycling
Sanpellegrino Clementina	330 ml	Can - Aluminium	Costco Wholesale Australia Pty Ltd	Statewide Recycling
UCC Masters Coffee Non Sugar	930 ml	PET	Daiso Industries (Australia) Pty Ltd	Marine Stores Ltd
Greentime Aloe Vera Lychee	1490 ml	PET	Direct Brand Distributors Pty Ltd	Marine Stores Ltd
Greentime Aloe Vera Lychee	490 ml	PET	Direct Brand Distributors Pty Ltd	Marine Stores Ltd

Column 1 Product Name	Column 2 Container Size	Column 3 Container Type	Column 4 Approval Holder	Column 5 Collection Arrangements
Greentime Aloe Vera Original	490 ml	PET	Direct Brand Distributors Pty Ltd	Marine Stores Ltd
Greentime Aloe Vera Original	1490 ml	PET	Direct Brand Distributors Pty Ltd	Marine Stores Ltd
Greentime Aloe Vera Peach	490 ml	PET	Direct Brand Distributors Pty Ltd	Marine Stores Ltd
Greentime Aloe Vera Peach	1490 ml	PET	Direct Brand Distributors Pty Ltd	Marine Stores Ltd
Emma & Toms Carrot & Turmeric	250 ml	PET	Emma & Tom Foods Pty Ltd	Statewide Recycling
Emma & Toms Kombucha Ginger	330 ml	Glass	Emma & Tom Foods Pty Ltd	Statewide Recycling
Emma & Toms Kombucha Passionfruit	330 ml	Glass	Emma & Tom Foods Pty Ltd	Statewide Recycling
Emma & Toms Leafy Greens	250 ml	PET	Emma & Tom Foods Pty Ltd	Statewide Recycling
Emma & Toms Purple Recovery	250 ml	PET	Emma & Tom Foods Pty Ltd	Statewide Recycling
Maximus Grape	1000 ml	PET	Frucor Suntory Australia Pty Ltd	Statewide Recycling
Maximus The Biggest Pineapple	1000 ml	PET	Frucor Suntory Australia Pty Ltd	Statewide Recycling
V Tortured Orchard Raspberry Lemonade Guarana Energy Drink	500 ml	Can - Aluminium	Frucor Suntory Australia Pty Ltd	Statewide Recycling
V Tortured Orchard Raspberry Lemonade Guarana Energy Drink	250 ml	Can - Aluminium	Frucor Suntory Australia Pty Ltd	Statewide Recycling
Hemp Infused Water Ginger Lemon	330 ml	Glass	Hemp OZ Pty Limited	Statewide Recycling
Hemp Kombucha Nov 17 Organic Botanical	330 ml	Glass	Hemp OZ Pty Limited	Statewide Recycling
Matso Broome Brewery Mango IPA	330 ml	Glass	Kimberley Accommodation West Pty Ltd T/As Matsos Broome Brewery	Marine Stores Ltd
Iron Jack Full Strength Lager	330 ml	Glass	Lion Pty Ltd	Marine Stores Ltd
Iron Jack Full Strength Lager	375 ml	Can - Aluminium	Lion Pty Ltd	Marine Stores Ltd
James Boags Premium Lager	330 ml	Can - Aluminium	Lion Pty Ltd	Marine Stores Ltd
Kosciuszko Pale Ale	355 ml	Can - Aluminium	Lion Pty Ltd	Marine Stores Ltd
3 Pub Circus Fearless Freddie Session IPA	330 ml	Glass	Liquorland Aust Pty Ltd	Statewide Recycling
Fat Pixie Hard Ginger Beer	375 ml	Can - Aluminium	Liquorland Aust Pty Ltd	Statewide Recycling
Porsche Pure Spring Water	300 ml	PET	MCI Australia	Statewide Recycling
Electric Bear Above The Clouds IPA	330 ml	Can - Aluminium	Maverick Imports Pty Ltd	Flagcan Distributors
Electric Bear NZ Pale	330 ml	Can - Aluminium	Maverick Imports Pty Ltd	Flagcan Distributors
Fierce Cafe Racer	330 ml	Can - Aluminium	Maverick Imports Pty Ltd	Flagcan Distributors
Fierce Cranachan Killer	330 ml	Can - Aluminium	Maverick Imports Pty Ltd	Flagcan Distributors
Fierce Day Shift Pale	330 ml	Can - Aluminium	Maverick Imports Pty Ltd	Flagcan Distributors
Fierce Dirty Sanchez Chipotle	330 ml	Can - Aluminium	Maverick Imports Pty Ltd	Flagcan Distributors
Fierce Easy Shift Pale	330 ml	Can - Aluminium	Maverick Imports Pty Ltd	Flagcan Distributors
Fierce Moose Mousse Stout	330 ml	Can - Aluminium	Maverick Imports Pty Ltd	Flagcan Distributors
Fierce Night Shift Black IPA	330 ml	Can - Aluminium	Maverick Imports Pty Ltd	Flagcan Distributors
Fierce Peanut Riot Porter	330 ml	Can - Aluminium	Maverick Imports Pty Ltd	Flagcan Distributors
Fierce Split Shift IPA	330 ml	Can - Aluminium	Maverick Imports Pty Ltd	Flagcan Distributors
Fierce Tangerine Tart Sour	330 ml	Can - Aluminium	Maverick Imports Pty Ltd	Flagcan Distributors
Fierce Very Berry Sour	330 ml	Can - Aluminium	Maverick Imports Pty Ltd	Flagcan Distributors
Mad Hatter Tzatziki Sour	33 ml	Glass	Maverick Imports Pty Ltd	Flagcan Distributors
Mondo Dennis Hopp r IPA	330 ml	Can - Aluminium	Maverick Imports Pty Ltd	Flagcan Distributors
Tiny Rebel Dutty	330 ml	Can - Aluminium	Maverick Imports Pty Ltd	Flagcan Distributors
Tiny Rebel Frambuzi	330 ml	Can - Aluminium	Maverick Imports Pty Ltd	Flagcan Distributors
Tiny Rebel Imperial Stay Puft	330 ml	Glass	Maverick Imports Pty Ltd	Flagcan Distributors
Tiny Rebel Stay Puft	330 ml	Can - Aluminium	Maverick Imports Pty Ltd	Flagcan Distributors

Column 1 Product Name	Column 2 Container Size	Column 3 Container Type	Column 4 Approval Holder	Column 5 Collection Arrangements
Wiper & True Milk Shake Stout	330 ml	Glass	Maverick Imports Pty Ltd	Flagcan Distributors
Nippys Iced Honeycomb Flavoured Milk	500 ml	HDPE	Nippys Fruit Juices Pty Ltd	Statewide Recycling
Nippys Lactose Free Chocolate Flavoured Milk	200 ml	LPB - Aseptic	Nippys Fruit Juices Pty Ltd	Statewide Recycling
Nippys Lactose Free Strawberry Flavoured Milk	200 ml	LPB - Aseptic	Nippys Fruit Juices Pty Ltd	Statewide Recycling
One Barrel Brewing Autumn Seasonal	650 ml	Glass	One Barrel Brewing Pty Ltd	Marine Stores Ltd
One Barrel Brewing Autumn Seasonal	330 ml	Glass	One Barrel Brewing Pty Ltd	Marine Stores Ltd
One Barrel Brewing Entry Level Australian Ale	330 ml	Glass	One Barrel Brewing Pty Ltd	Marine Stores Ltd
One Barrel Brewing Spring Seasonal	750 ml	Glass	One Barrel Brewing Pty Ltd	Marine Stores Ltd
One Barrel Brewing Spring Seasonal	330 ml	Glass	One Barrel Brewing Pty Ltd	Marine Stores Ltd
One Barrel Brewing Summer Seasonal	650 ml	Glass	One Barrel Brewing Pty Ltd	Marine Stores Ltd
One Barrel Brewing Summer Seasonal	330 ml	Glass	One Barrel Brewing Pty Ltd	Marine Stores Ltd
One Barrel Brewing The Silesian Gose	330 ml	Glass	One Barrel Brewing Pty Ltd	Marine Stores Ltd
One Barrel Brewing Winter Seasonal	750 ml	Glass	One Barrel Brewing Pty Ltd	Marine Stores Ltd
One Barrel Brewing Winter Seasonal	330 ml	Glass	One Barrel Brewing Pty Ltd	Marine Stores Ltd
Dairytonic That Probiotic Blueberry	300 ml	HDPE	Picnic Dairy Foods Pty Ltd	Statewide Recycling
Dairytonic That Probiotic Drink Coconut	300 ml	HDPE	Picnic Dairy Foods Pty Ltd	Statewide Recycling
Dairytonic That Probiotic Drink Salted Caramel	300 ml	HDPE	Picnic Dairy Foods Pty Ltd	Statewide Recycling
Sahara Probotic Kefir Organic	500 ml	PET	Picnic Dairy Foods Pty Ltd	Statewide Recycling
Sahara Probotic Kefir Organic Bluberry	500 ml	PET	Picnic Dairy Foods Pty Ltd	Statewide Recycling
Sahara Probotic Kefir Organic Bluberry	1000 ml	PET	Picnic Dairy Foods Pty Ltd	Statewide Recycling
Sahara Probotic Kefir Organic Bush Honey	500 ml	PET	Picnic Dairy Foods Pty Ltd	Statewide Recycling
Sahara Probotic Kefir Organic Bush Honey	1000 ml	PET	Picnic Dairy Foods Pty Ltd	Statewide Recycling
Sahara Probotic Kefir Organic Coconut	1000 ml	PET	Picnic Dairy Foods Pty Ltd	Statewide Recycling
Sahara Probotic Kefir Organic Coconut	500 ml	PET	Picnic Dairy Foods Pty Ltd	Statewide Recycling
1698 Kentish Strong Ale	500 ml	Glass	Pinnacle Drinks	Marine Stores Ltd
Belhaven Black Scottish Stout Draught	440 ml	Can - Aluminium	Pinnacle Drinks	Marine Stores Ltd
Bishops Finger Kentish Strong Ale	500 ml	Glass	Pinnacle Drinks	Marine Stores Ltd
Kopparberg Premium Cider Apple	330 ml	Glass	Pinnacle Drinks	Marine Stores Ltd
Kopparberg Premium Cider Pear	330 ml	Glass	Pinnacle Drinks	Marine Stores Ltd
Kopparberg Premium Cider With Blueberry & Lime	330 ml	Glass	Pinnacle Drinks	Marine Stores Ltd
Kopparberg Premium Cider With Elderflower & Lime	330 ml	Glass	Pinnacle Drinks	Marine Stores Ltd
Kopparberg Premium Cider With Raspberry	330 ml	Glass	Pinnacle Drinks	Marine Stores Ltd
Alhambra 1925	330 ml	Glass	Red Island Pty Ltd	Marine Stores Ltd
Brothers Toffee Apple Premium Cider	275 ml	Glass	Red Island Pty Ltd	Marine Stores Ltd
Deeds Brewing Quiet Deeds Vanilla Porter	330 ml	Glass	Red Island Pty Ltd	Marine Stores Ltd
Founders Brewing Azacca Indian Pale Ale	355 ml	Glass	Red Island Pty Ltd	Marine Stores Ltd
Founders Brewing Barrel Runner Mosaic Hopped Ale	355 ml	Glass	Red Island Pty Ltd	Marine Stores Ltd
Founders Brewing Dank Wood	355 ml	Glass	Red Island Pty Ltd	Marine Stores Ltd
Founders Brewing Dirty Bastard Scotch Style Ale	355 ml	Glass	Red Island Pty Ltd	Marine Stores Ltd

Column 1 Product Name	Column 2 Container Size	Column 3 Container Type	Column 4 Approval Holder	Column 5 Collection Arrangements
Founders Brewing PC Pils American Hopped Pilsner	355 ml	Glass	Red Island Pty Ltd	Marine Stores Ltd
Founders Solid Gold Premium Lager	355 ml	Glass	Red Island Pty Ltd	Marine Stores Ltd
Mahou Premium Beer Original	330 ml	Glass	Red Island Pty Ltd	Marine Stores Ltd
Remedy Kombucha Organic Sparkling Cherry Plum	250 ml	Can - Aluminium	Remedy Kombucha	Marine Stores Ltd
Remedy Kombucha Organic Sparkling Coconut Water Kefir	330 ml	Glass	Remedy Kombucha	Marine Stores Ltd
Remedy Kombucha Organic Sparkling Lemon Lime & Mint	330 ml	Glass	Remedy Kombucha	Marine Stores Ltd
Remedy Kombucha Organic Sparkling Lemon Lime & Mint	750 ml	Glass	Remedy Kombucha	Marine Stores Ltd
Tummy Tonic Berries with a hint of Mint	1000 ml	Glass	Rodney Grossman Family Trust	Marine Stores Ltd
Tummy Tonic Berries with a hint of Mint	275 ml	Glass	Rodney Grossman Family Trust	Marine Stores Ltd
Tummy Tonic Ginger Zing	275 ml	Glass	Rodney Grossman Family Trust	Marine Stores Ltd
Tummy Tonic Ginger Zing	1000 ml	Glass	Rodney Grossman Family Trust	Marine Stores Ltd
Tummy Tonic Juicy Orange	275 ml	Glass	Rodney Grossman Family Trust	Marine Stores Ltd
Tummy Tonic Juicy Orange	1000 ml	Glass	Rodney Grossman Family Trust	Marine Stores Ltd
Tummy Tonic Zesty Lemon	275 ml	Glass	Rodney Grossman Family Trust	Marine Stores Ltd
Tummy Tonic Zesty Lemon	1000 ml	Glass	Rodney Grossman Family Trust	Marine Stores Ltd
Moo Brew Stout	375 ml	Can - Aluminium	Samuel Smith & Son Pty Ltd	Statewide Recycling
Devondale 3D Chocolate Flavoured Milk	250 ml	LiquidPaperBoard	Saputo Dairy Australia Pty Ltd	Statewide Recycling
Devondale 3D Iced Coffee Flavoured Milk	250 ml	LiquidPaperBoard	Saputo Dairy Australia Pty Ltd	Statewide Recycling
Devondale 3D Strawberry Flavoured Milk	250 ml	LiquidPaperBoard	Saputo Dairy Australia Pty Ltd	Statewide Recycling
Devondale Moo Chocolate Flavoured Milk	200 ml	LPB - Aseptic	Saputo Dairy Australia Pty Ltd	Statewide Recycling
Devondale Moo Strawberry Flavoured Milk	200 ml	LPB - Aseptic	Saputo Dairy Australia Pty Ltd	Statewide Recycling
Liddells Lactose Free Chocolate Milk	250 ml	LiquidPaperBoard	Saputo Dairy Australia Pty Ltd	Statewide Recycling
Pepsi	200 ml	Can - Aluminium	Schweppes Australia Pty Ltd	Statewide Recycling
Pepsi Max	200 ml	Can - Aluminium	Schweppes Australia Pty Ltd	Statewide Recycling
Schweppes Dry Ginger Ale	200 ml	Can - Aluminium	Schweppes Australia Pty Ltd	Statewide Recycling
Schweppes Indian Tonic Water	200 ml	Can - Aluminium	Schweppes Australia Pty Ltd	Statewide Recycling
Schweppes Lemon & Lime With Natural Mineral Water	200 ml	Can - Aluminium	Schweppes Australia Pty Ltd	Statewide Recycling
Schweppes Lemonade	200 ml	Can - Aluminium	Schweppes Australia Pty Ltd	Statewide Recycling
Schweppes Natural Mineral Water	200 ml	Can - Aluminium	Schweppes Australia Pty Ltd	Statewide Recycling
Schweppes Soda Water	200 ml	Can - Aluminium	Schweppes Australia Pty Ltd	Statewide Recycling
Schweppes Traditionals Brown Cream Soda	1100 ml	PET	Schweppes Australia Pty Ltd	Statewide Recycling
Schweppes Traditionals Ginger Beer	1100 ml	PET	Schweppes Australia Pty Ltd	Statewide Recycling
Schweppes Traditionals Lemonade Zero Sugar with Natural Lemon Flavour	1100 ml	PET	Schweppes Australia Pty Ltd	Statewide Recycling
Schweppes Traditionals Lemonade with Natural Lemon Flavour	1100 ml	PET	Schweppes Australia Pty Ltd	Statewide Recycling
Schweppes Traditionals Lime Flavour	1100 ml	PET	Schweppes Australia Pty Ltd	Statewide Recycling
Schweppes Traditionals Raspberry Flavour	1100 ml	PET	Schweppes Australia Pty Ltd	Statewide Recycling
Schweppes Traditionals Raspberry Zero Sugar Flavour	1100 ml	PET	Schweppes Australia Pty Ltd	Statewide Recycling
Schweppes Traditionals Sarsaparilla	1100 ml	PET	Schweppes Australia Pty Ltd	Statewide Recycling
Solo Original Lemon	200 ml	Can - Aluminium	Schweppes Australia Pty Ltd	Statewide Recycling

Column 1 Product Name	Column 2 Container Size	Column 3 Container Type	Column 4 Approval Holder	Column 5 Collection Arrangements
Sharmas Kitchen Date & Cinnamon Milk	350 ml	PET	Sharmas Kitchen Pty Ltd	Marine Stores Ltd
Sharmas Kitchen Kesar Milk Saffron	350 ml	PET	Sharmas Kitchen Pty Ltd	Marine Stores Ltd
Sharmas Kitchen Mango Lassi	350 ml	PET	Sharmas Kitchen Pty Ltd	Marine Stores Ltd
Sharmas Kitchen Milk Badam	350 ml	PET	Sharmas Kitchen Pty Ltd	Marine Stores Ltd
Crazy Bastard 22 Crisp Lager	330 ml	Glass	Simon Lang Wines Pty Limited T/as CB Beer Company	Statewide Recycling
Crazy Bastard 357 Pale Ale	330 ml	Glass	Simon Lang Wines Pty Limited T/as CB Beer Company	Statewide Recycling
Crazy Bastard 44 Amber Ale	330 ml	Glass	Simon Lang Wines Pty Limited T/as CB Beer Company	Statewide Recycling
Crazy Bastard Ball Tearer Pale Ale	330 ml	Glass	Simon Lang Wines Pty Limited T/as CB Beer Company	Statewide Recycling
Battle Of Bosworth McLaren Vale Pale Ale	330 ml	Glass	Smiling Samoyed Pty Ltd	Statewide Recycling
Smiling Samoyed Brewery Limited Release Poppet Strong Brown Ale	330 ml	Glass	Smiling Samoyed Pty Ltd	Statewide Recycling
Smiling Samoyed Brewery Limited Release Stout	330 ml	Glass	Smiling Samoyed Pty Ltd	Statewide Recycling
Smiling Samoyed Brewery SA Harvest Ale	650 ml	Glass	Smiling Samoyed Pty Ltd	Statewide Recycling
Smiling Samoyed Brewery Seasonal Release ESB	330 ml	Glass	Smiling Samoyed Pty Ltd	Statewide Recycling
The Milk Thief Organic Bush Honey Probiotic Kefir	1000 g	HDPE	Soulfresh Group Pty Ltd	Statewide Recycling
Fever Tree Aromatic Tonic Water	500 ml	Glass	Southtrade International Pty Ltd	Statewide Recycling
Fever Tree Naturally Light Tonic Water	500 ml	Glass	Southtrade International Pty Ltd	Statewide Recycling
Southern Comfort & Cola	375 ml	Can - Aluminium	Southtrade International Pty Ltd	Statewide Recycling
Southern Comfort Liqueur	375 ml	PET	Southtrade International Pty Ltd	Statewide Recycling
Southern Comfort Liqueur	200 ml	PET	Southtrade International Pty Ltd	Statewide Recycling
Southern Comfort Original	50 ml	PET	Southtrade International Pty Ltd	Statewide Recycling
Cornes Toyota	600 ml	PET	Springwater Beverages Pty Ltd	Statewide Recycling
La Pecora Nera	1500 ml	PET	Springwater Beverages Pty Ltd	Statewide Recycling
Aspall Cyder	500 ml	Glass	Square Keg Pty Ltd	Marine Stores Ltd
Fixation Obsession Session IPA Pale Ale	330 ml	Glass	Square Keg Pty Ltd	Marine Stores Ltd
Fixation Squish Citrus IPA	330 ml	Can - Aluminium	Square Keg Pty Ltd	Marine Stores Ltd
New Belgium Citradelic Tangerine IPA	355 ml	Can - Aluminium	Square Keg Pty Ltd	Marine Stores Ltd
New Belgium Fat Tire	355 ml	Can - Aluminium	Square Keg Pty Ltd	Marine Stores Ltd
Sunlight Liquor Gums & Roses Australian Mead	330 ml	Can - Aluminium	Sunlight Liquor Pty Ltd	Marine Stores Ltd
East Imperial Ginger Beer	150 ml	Glass	Swift & Moore Pty Ltd	Statewide Recycling
East Imperial Grapefruit Tonic Water	150 ml	Glass	Swift & Moore Pty Ltd	Statewide Recycling
East Imperial Old World Tonic Water	150 ml	Glass	Swift & Moore Pty Ltd	Statewide Recycling
East Imperial Soda Water	150 ml	Glass	Swift & Moore Pty Ltd	Statewide Recycling
East Imperial Thai Ginger Ale	150 ml	Glass	Swift & Moore Pty Ltd	Statewide Recycling
East Imperial Tonic Water	150 ml	Glass	Swift & Moore Pty Ltd	Statewide Recycling
East Imperial Yuzu Tonic Water	150 ml	Glass	Swift & Moore Pty Ltd	Statewide Recycling
British Thank You Water	350 ml	PET	The British Hotel Port Adelaide	Statewide Recycling
Aziva Lactose Free Kefir Natural	450 ml	PET	The Trustee for VRA Unit Trust	Statewide Recycling
Aziva Lactose Free Kefir Natural	1000 ml	HDPE	The Trustee for VRA Unit Trust	Statewide Recycling
Tony Ferguson Banana Shake	275 ml	LPB - Aseptic	Tony Ferguson Weight Management Pty Ltd	Statewide Recycling
Tony Ferguson Cafe Latte Shake	275 ml	LPB - Aseptic	Tony Ferguson Weight Management Pty Ltd	Statewide Recycling

Column 1 Product Name	Column 2 Container Size	Column 3 Container Type	Column 4 Approval Holder	Column 5 Collection Arrangements
Tony Ferguson Chocolate Shake	275 ml	LPB - Aseptic	Tony Ferguson Weight Management Pty Ltd	Statewide Recycling
Tony Ferguson Strawberry Shake	275 ml	LPB - Aseptic	Tony Ferguson Weight Management Pty Ltd	Statewide Recycling
Australian Red Cross Blood Service Spring Water	600 ml	PET	Trident Sales & Distribution Australia	Statewide Recycling
Two Birds Brewing Autumn IPA	330 ml	Glass	Two Birds Brewing	Marine Stores Ltd
Two Birds Brewing Pale	330 ml	Glass	Two Birds Brewing	Marine Stores Ltd
Two Birds Brewing Spring Saison	330 ml	Glass	Two Birds Brewing	Marine Stores Ltd
Two Birds Brewing Summer Pilsner	330 ml	Glass	Two Birds Brewing	Marine Stores Ltd
Two Birds Brewing Winter Stout	330 ml	Glass	Two Birds Brewing	Marine Stores Ltd
Utonic Kombucha Sparkling Coconut 100% Organic Zero Sugar	350 ml	PET	Utonic Beverages Pty Ltd	Statewide Recycling
Utonic Kombucha Sparkling Ginger & Tumeric 100 % Organic Zero Sugar	350 ml	PET	Utonic Beverages Pty Ltd	Statewide Recycling
Utonic Kombucha Sparkling Lemon & Lime 100% Organic Zero Sugar	350 ml	PET	Utonic Beverages Pty Ltd	Statewide Recycling
Utonic Kombucha Sparkling Live Cultured Passionfruit Tonic	330 ml	Glass	Utonic Beverages Pty Ltd	Statewide Recycling
Utonic Kombucha Sparkling Live Cultured Raspberry Tonic	330 ml	Glass	Utonic Beverages Pty Ltd	Statewide Recycling
Utonic Kombucha Sparkling Live Ginger Raspberry Tonic	330 ml	Glass	Utonic Beverages Pty Ltd	Statewide Recycling
Utonic Kombucha Sparkling Mango 100% Organic Zero Sugar	350 ml	PET	Utonic Beverages Pty Ltd	Statewide Recycling
Utonic Kombucha Sparkling Mixed Berry 100% Organic Zero Sugar	350 ml	PET	Utonic Beverages Pty Ltd	Statewide Recycling
Utonic Kombucha Sparkling Pear 100% Organic Zero Sugar	350 ml	PET	Utonic Beverages Pty Ltd	Statewide Recycling
Utonic Kombucha Sparkling Pomegranate 100% Organic Zero Sugar	350 ml	PET	Utonic Beverages Pty Ltd	Statewide Recycling
Duff Energy Drink	375 ml	Can - Aluminium	Venross Pty Ltd T/as VR Distribution	Statewide Recycling
Ace Of Spades Stout	330 ml	Glass	Whet Whistle Pty Ltd T AS Brewboys	Marine Stores Ltd
Ace Of Spades Stout	650 ml	Glass	Whet Whistle Pty Ltd T AS Brewboys	Marine Stores Ltd
Brown Bomber Oak Aged Brown Ale	500 ml	Glass	Whet Whistle Pty Ltd T AS Brewboys	Marine Stores Ltd
Charger Lager Blue Label	330 ml	Glass	Whet Whistle Pty Ltd T AS Brewboys	Marine Stores Ltd
Charger Lager Red Label	330 ml	Glass	Whet Whistle Pty Ltd T AS Brewboys	Marine Stores Ltd
GT Lager 35.1 Bitterness Units	330 ml	Glass	Whet Whistle Pty Ltd T AS Brewboys	Marine Stores Ltd
GTS Pale Ale	330 ml	Glass	Whet Whistle Pty Ltd T AS Brewboys	Marine Stores Ltd
Gasoline	330 ml	Glass	Whet Whistle Pty Ltd T AS Brewboys	Marine Stores Ltd
Hard Pressed Lemon	330 ml	Glass	Whet Whistle Pty Ltd T AS Brewboys	Marine Stores Ltd
Hoes Garden 4.9%	330 ml	Glass	Whet Whistle Pty Ltd T AS Brewboys	Marine Stores Ltd
Hoppapotamus	330 ml	Glass	Whet Whistle Pty Ltd T AS Brewboys	Marine Stores Ltd
Hoppapotamus Pale Ale	650 ml	Glass	Whet Whistle Pty Ltd T AS Brewboys	Marine Stores Ltd
Hottest 100 Stout	330 ml	Glass	Whet Whistle Pty Ltd T AS Brewboys	Marine Stores Ltd
Jog On Bitter	650 ml	Glass	Whet Whistle Pty Ltd T AS Brewboys	Marine Stores Ltd
Jog-On Jypsy (English Style Session Ale)	330 ml	Glass	Whet Whistle Pty Ltd T AS Brewboys	Marine Stores Ltd
King Brown (American Brown Ale)	330 ml	Glass	Whet Whistle Pty Ltd T AS Brewboys	Marine Stores Ltd

Column 1 Product Name	Column 2 Container Size	Column 3 Container Type	Column 4 Approval Holder	Column 5 Collection Arrangements
King Brown 4.2%	650 ml	Glass	Whet Whistle Pty Ltd T AS Brewboys	Marine Stores Ltd
Maiden Ale	650 ml	Glass	Whet Whistle Pty Ltd T AS Brewboys	Marine Stores Ltd
Maiden Ale 4.9%	330 ml	Glass	Whet Whistle Pty Ltd T AS Brewboys	Marine Stores Ltd
Schweinhund	330 ml	Glass	Whet Whistle Pty Ltd T AS Brewboys	Marine Stores Ltd
Seeing Double	330 ml	Glass	Whet Whistle Pty Ltd T AS Brewboys	Marine Stores Ltd
Stellar 6.9%	750 ml	Glass	Whet Whistle Pty Ltd T AS Brewboys	Marine Stores Ltd
Pandaroo Coconut Milk Drink	310 ml	Can - Aluminium	Yuens Market Trading Co	Statewide Recycling

ELISEO PALUMBO
Delegate of the Environment Protection Authority

ENVIRONMENT PROTECTION ACT 1993

SECTION 68

Revocation of Approval of Category B Containers

I, Eliseo Palumbo, Delegate of the Environment Protection Authority ('the Authority'), pursuant to section 68 of the Environment Protection Act, 1993 (SA) ('the Act') hereby revoke the approvals of the classes of category B containers sold in South Australia as identified by reference to the following matters, which are described in the first 4 columns of Schedule 1 of this Notice.

- (a) the product which each class of containers shall contain;
- (b) the size of the containers;
- (c) the type of containers;
- (d) the name of the holders of these approvals

These approvals are revoked as the Authority is satisfied that the waste management arrangement between the approval holder and the party named in column 5 of Schedule 1 of this Notice has been cancelled.

SCHEDULE 1

Column 1 Product Name	Column 2 Container Size	Column 3 Container Type	Column 4 Approval Holder	Column 5 Collection Arrangements
Life + Fresh High Protein Shake Choc Fudge	500 ml	LPB - Gable Top	Icon Trading Group Pty Ltd t/as Icon Foods	Marine Stores Ltd
Life + Fresh High Protein Shake French Vanilla	500 ml	LPB - Gable Top	Icon Trading Group Pty Ltd t/as Icon Foods	Marine Stores Ltd
Jubes Grape	360 g	Flexible Pouch - PE/PET	Intradco Pty Ltd	Marine Stores Ltd
Jubes Lychee	360 g	Flexible Pouch - PE/PET	Intradco Pty Ltd	Marine Stores Ltd
Jubes Mango	360 g	Flexible Pouch - PE/PET	Intradco Pty Ltd	Marine Stores Ltd
Jubes Original	360 g	Flexible Pouch - PE/PET	Intradco Pty Ltd	Marine Stores Ltd
Jubes Strawberry	360 g	Flexible Pouch - PE/PET	Intradco Pty Ltd	Marine Stores Ltd
Becks Beer	330 ml	Glass	Kopurlo Pty Ltd T/A West Lakes Wines & Spirits Wholesale	Statewide Recycling
Corona Extra Beer	355 ml	Glass	Kopurlo Pty Ltd T/A West Lakes Wines & Spirits Wholesale	Statewide Recycling
Heineken Beer	330 ml	Glass	Kopurlo Pty Ltd T/A West Lakes Wines & Spirits Wholesale	Statewide Recycling
Red Bull	250 ml	Can - Aluminium	Kopurlo Pty Ltd T/A West Lakes Wines & Spirits Wholesale	Statewide Recycling
Rekorderlig Pear Cider Wild Berries	500 ml	Glass	Kopurlo Pty Ltd T/A West Lakes Wines & Spirits Wholesale	Statewide Recycling
Rekorderlig Pear Cider Strawberry Lime	500 ml	Glass	Kopurlo Pty Ltd T/A West Lakes Wines & Spirits Wholesale	Statewide Recycling
Stella Artois	330 ml	Glass	Kopurlo Pty Ltd T/A West Lakes Wines & Spirits Wholesale	Statewide Recycling

ELISEO PALUMBO
Delegate of the Environment Protection Authority

FIREARMS REGULATIONS 2017

Recognised Firearms Club

I DECLARE SSAA Practical Shooting SA Inc to be a recognised Firearms Club, pursuant to Regulation 69 (1) of the Firearms Regulations 2017.

Dated: 25 May 2018

P SINOR
Delegate of the Registrar of Firearms

GEOGRAPHICAL NAMES ACT 1991

Notice to Alter the Boundaries of a Place and Assign a Name to a Place

NOTICE is hereby given pursuant to the provisions of the *Geographical Names Act 1991*, that I STEPHAN KNOLL, Minister for Transport, Infrastructure and Local Government, Minister of the Crown to whom the administration of the *Geographical Names Act 1991* is committed, DO HEREBY:

1. Exclude from the suburb of **HAYBOROUGH** that area marked (A) shown highlighted in blue on the plan.
2. Assign the suburb name **CHITON** to that area marked (A)

Copies of the plan showing the extent of the subject area can be viewed on the Land Services web-site at:
<http://www.sa.gov.au/placenameproposals>

Dated: 12 May 2018

HON STEPHAN KNOLL MP
Minister for Transport, Infrastructure and Local Government

DPTI: 2017/18415/01

GOVERNMENT FINANCING AUTHORITY ACT 1982

Persons Assigned to Work

NOTICE is hereby given that the Under Treasurer/Chief Executive will from time to time employ persons in the Department of Treasury and Finance, pursuant to the *Public Sector Act 2009* and such persons will be assigned to work in the South Australian Government Financing Authority.

Take notice that, pursuant to Section 20 (2) (a) of the *Government Financing Authority Act 1982*, I, Rob Lucas, Treasurer, determine that Section 45 of the *Public Sector Act 2009* will not apply to the employment of such persons assigned to work in the South Australian Government Financing Authority to perform the duties of the role of Senior Quantitative Analyst.

Pursuant to Section 20 (2) of the *Government Financing Authority Act 1982*, I further determine that:

- (a) The Under Treasurer/Chief Executive may employ persons employed to perform the duties of Senior Quantitative Analyst in the Department of Treasury and Finance on a term basis of up to three years;
- (b) In addition to the grounds for termination of employment under the *Public Sector Act 2009*, the employment of any person employed to perform the duties of Senior Quantitative Analyst may be terminated by the Under Treasurer/Chief Executive or his/her delegate without cause, by the giving of a period of four months' notice or payment in lieu. The Under Treasurer/Chief Executive or delegate is not bound to give reasons if he/she terminates the employment of such person on this basis. A termination payment of an amount equal to four months remuneration for each uncompleted year of the contract (with a pro rata adjustment in relation to part of a year) up to a maximum of eight months remuneration is payable to an employee upon termination under such clause.

Dated: 3 June 2018

ROB LUCAS
Treasurer

HOUSING IMPROVEMENT ACT 2016

SECTION 25

Rent Control

In the exercise of the powers conferred by the *Housing Improvement Act 2016*, I hereby fix the maximum rental per week which shall be payable subject to Section 55 of the *Residential Tenancies Act 1995*, in respect of each house described in the following table. The amount shown in the said table shall come into force on the date of this publication in the Gazette.

Address of Premises	Allotment Section	Certificate of Title Volume/Folio	Maximum Rental per week payable
37 Jane Place, Tanunda SA 5352	Allotment 110 Filed Plan 36577 Hundred of Moorooroo	CT5315/100	\$125.00

Dated: 7 June 2018

JOHN HERRMANN
Housing Regulator and Registrar
Office of Housing Regulation, Housing SA
Delegate of Minister for Human Services

HOUSING IMPROVEMENT ACT 2016

SECTION 25

Rent Control Revocations

I am satisfied that each of the houses described hereunder has ceased to be unsafe or unsuitable for human habitation for the purposes of the *Housing Improvement Act 2016*, notice is hereby given that, in exercise of the powers conferred by the said Act, the Minister for Human Services Delegate does hereby revoke the said Rent Control in respect of each property.

Address of Premises	Allotment Section	Certificate of Title Volume/Folio
570 Portrush Road, GLEN OSMOND SA 5064	Allotment 3 Deposited Plan 24979 Hundred of Adelaide	CT 5075/955

Dated: 7 June 2018

JOHN HERRMANN
Housing Regulator and Registrar
Office of Housing Regulation, Housing SA
Delegate of Minister for Human Services

MENTAL HEALTH ACT 2009

Authorised Mental Health Professionals

NOTICE is hereby given in accordance with Section 94(1) of the Mental Health Act 2009, that the Chief Psychiatrist has determined the following persons as Authorised Mental Health Professionals commencing from date of Gazettal:

Bindu Benny

A person's determination will expire three years after the date of Gazettal.

DR J BRAYLEY
Chief Psychiatrist

MINING ACT 1971

Notice pursuant to Section 28(5) of the Mining Act 1971

Notice is hereby given in accordance with Section 28(5) of the *Mining Act 1971* that the delegate of the Minister for Mineral Resources and Energy intends to grant Exploration Licences over the areas described below.

Applicant: Squadron Resources Pty Ltd
Location: Phar Lap Outstation area – approx. 70 km south-southeast of Coober Pedy
Pastoral Lease: Ingomar
Term: Two years
Area in km²: 283
Reference number: 2017/00223

Applicant: Iluka (Eucla Basin) Pty Ltd
Location: Nullarbor area – approx. 230 km west-northwest of Ceduna
Term: Two years
Area in km²: 995
Reference number: 2018/00014

Applicant: Chikale Resources Pty Ltd
Location: Wonna area – approx. 35 km east of Jamestown
Term: One year
Area in km²: 95
Reference number: 2018/00032

Applicant: Macallum Group Ltd
Location: Anna Creek area – immediately north of William Creek
Pastoral Lease: Anna Creek
Term: One year
Area in km²: 854
Reference number: 2018/00071

Applicant: Resource Holdings Pty Ltd
Location: Lake Torrens area – approx. 65 km east of Roxby Downs
Pastoral Lease: Witchelina
Term: One year
Area in km²: 186
Reference number: 2018/00074

Applicant: BRRS Mining Pty Ltd
Location: Wilmington area – approx. 30 km east of Port Augusta
Term: One year
Area in km²: 329
Reference number: 2018/00084

Applicant: Gawler Resources Pty Ltd
Location: Witchelina area – approx. 45 km southwest of Marree
Pastoral Lease: Stuart Creek, Witchelina
Term: Two years
Area in km²: 274
Reference number: 2018/00086

Applicant: Copar Resources Pty Ltd
Location: Manners Well area – approx. 65 km northeast of Parachilna
Pastoral Lease: Mount Searle, North Moolooloo, Angepena, Yankaninna, Leigh Creek, Warraweena, Burr Well, Manners Well, Puttapa
Term: One year
Area in km²: 995
Reference number: 2018/00087

Applicant: Copar Resources Pty Ltd
 Location: Narrina area – approx. 55 km east-northeast of Parachilna
 Pastoral Lease: Pinda Springs, Angorichina, Mulga View, Narrina, Wirrealpa, Warraweena, Wertaloona
 Term: One year
 Area in km²: 997
 Reference number: 2018/00088

Plans and co-ordinates can be found on the Department of the Premier and Cabinet website: http://www.minerals.dpc.sa.gov.au/exploration/public_notices or by contacting Mineral Tenements on 08 8463 3103.

Community information on mineral exploration licence processes and requirements under the *Mining Act 1971* is available from: http://www.minerals.dpc.sa.gov.au/land_access/community_information or hard copy on request to Mineral Tenements.

J MARTIN
 Mining Registrar
 Department of the Premier and Cabinet
 Delegate of the Minister for Energy and Mining

MINING ACT 1971

Section 35A(1)

Notice is hereby given in accordance with Section 35A(1) of the *Mining Act 1971*, that an application for a Mining Lease over the undermentioned mineral claim has been received:

Applicant: White Lakes Pty Ltd
 Claim Number: 4292
 Location: Sections 84 and 85, Hundred of Mitchell (Approximately 19 km Northwest of Cummins)
 Area: 7.5 hectares approximately
 Purpose: Industrial Minerals (Gypsum)
 Reference: T02870

Details of the proposal may be inspected at the Department of the Premier and Cabinet, Mineral Resources Division, Level 7, 101 Grenfell Street, ADELAIDE SA 5000.

A copy of the proposal has been provided to the District Council of Lower Eyre Peninsula and an electronic copy of the proposal can be found on the Department of the Premier and Cabinet website: http://minerals.dpc.sa.gov.au/mining/public_notices_mining.

Written submissions in relation to this application are invited to be received at the Department of the Premier and Cabinet, Mining Regulation, Attn: Business Support Officer, GPO Box 320 ADELAIDE SA 5001 or dpc.miningregrehab@sa.gov.au by no later than 5 July 2018.

The delegate of the Minister for Energy and Mining is required to have regard to these submissions in determining whether to grant or refuse the application and, if granted, the terms and conditions on which it should be granted.

When you make a written submission, that submission becomes a public record. Your submission will be provided to the applicant and may be made available for public inspection unless confidentiality is requested.

J MARTIN
 Mining Registrar
 Department of the Premier and Cabinet
 Delegate of the Minister for Energy and Mining

MINING ACT 1971

Notice of Declaration of Exemption of Land

NOTICE is hereby given that I, DAN VAN HOLST PELLEKAAN, Minister for Energy and Mining, in the exercise of the powers conferred by section 9A(1)(c) of the *Mining Act 1971* ('the Act'), do declare that:

1. The area of land defined in Schedule 1 is exempt from the operation of the following provisions of the Act:
 Part 4, 5, 6, 6A, 8, 8A and 9A
2. This declaration shall be in force for a period of two years from the date hereof.

SCHEDULE 1

All that part of the State of South Australia, bounded as follows:-

Commencing at a point being the intersection of latitude 32°14' and longitude 139°37'E (1), then east to longitude 139°44'E (2), south to latitude 32°17' (3), east to longitude 139°47'E (4), south to latitude 32°18' (5), east to longitude 139°48'E (6), south to latitude 32°19' (7), east to longitude 139°50'E (8), north to a latitude 32°15'S (9), east to longitude 139°55'E (10), south to latitude 32°18'S (11), west to longitude 139°51' E (12), south to latitude 32°20'S (13), east to longitude 139°52'E (14), south to latitude 32°21'S (15), east to longitude 139°55'E (16), south to latitude 32°24'S (17), west to longitude 139°54'E (18), south to latitude 32°25'S (19), west to longitude 139°48'E (20), north to latitude 32°24'(21), west to longitude 139°47'E (22), north to latitude 32°19' (23), west to longitude 139°44'E (24), north to latitude 32°18'(25), west to longitude 139°39'E (26), north to latitude 32°16' (27), west to longitude 139°37'E (28), and north to the point of commencement.

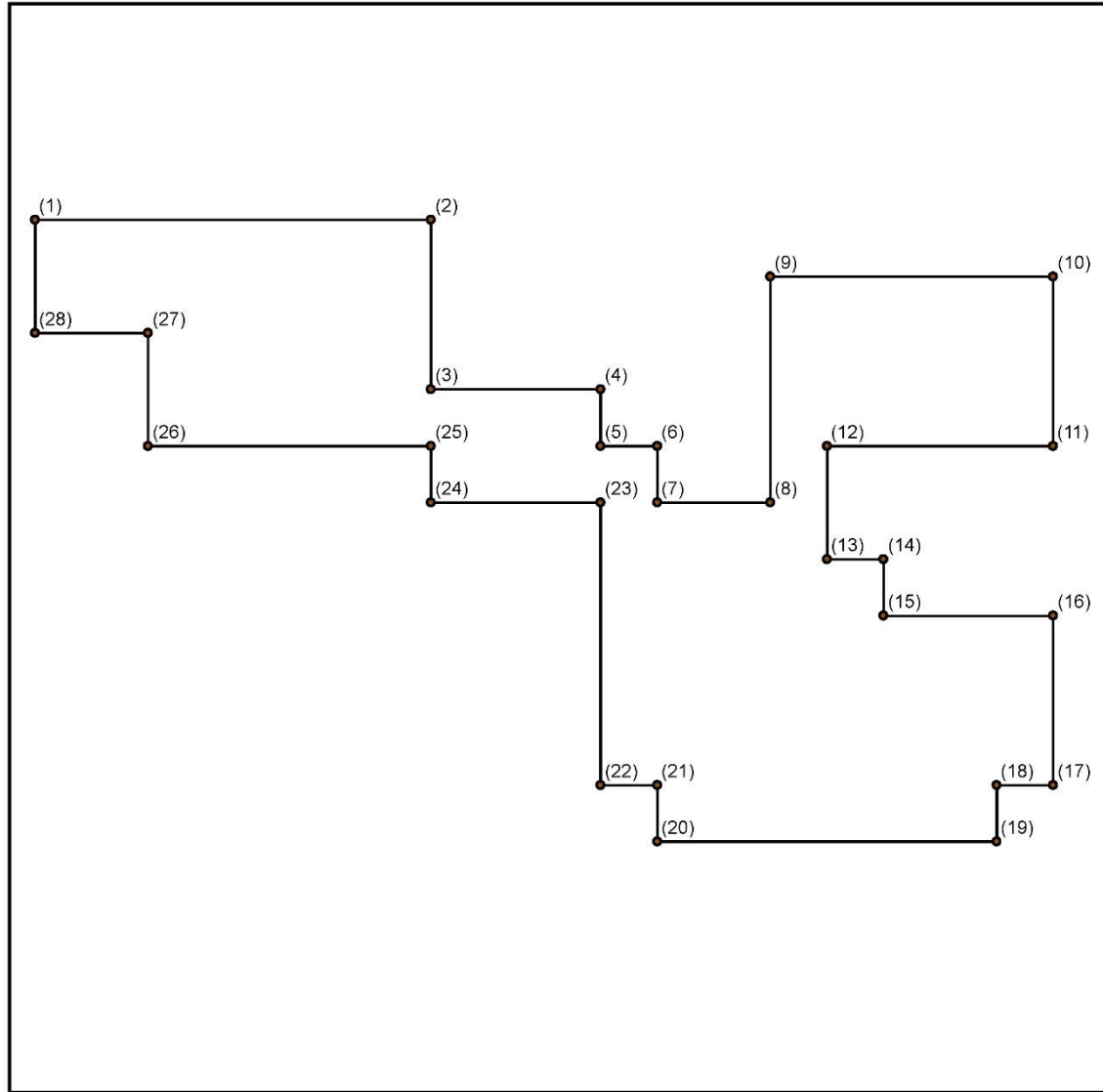
All the within latitudes and longitudes being geodetic and expressed in terms of the Australian Geodetic Datum as defined on page 4984 of Commonwealth Gazette number 84 dated October 6, 1966 (AGD66).

The attached map is provided for convenience of reference only. If a discrepancy occurs between the written text and the map, then the written text shall take precedence.

Dated: 7 June 2018

DAN VAN HOLST PELLEKAAN MP
 Minister for Energy and Mining



Area to be Proclaimed as Special Declared Area




Government of South Australia
Department of the Premier and Cabinet

Date: 23/04/2018

Coordinate System: GCS Australian 1966
Datum: Australian 1966



Legend
● Corner_Points
□ ELs_For_SDA



MOTOR VEHICLE ACCIDENTS (LIFETIME SUPPORT SCHEME) ACT 2013

LIFETIME SUPPORT AUTHORITY

2018-2019 LSS Rates

THE following rates have been set as the maximum the Lifetime Support Authority of South Australia will pay for attendant care services from 1 July 2018:

2018-19 LSS Rates	
Monday-Friday 6 a.m.-8 p.m. (per hour)	\$46.57
Monday-Friday 8 p.m.-12 a.m. (per hour)	\$50.56
Monday-Friday 12 a.m.-6 a.m. (Active) (per hour)	\$51.41
Saturday (per hour)	\$62.67
Sunday (per hour)	\$78.76
Public Holidays (per hour)	\$94.85
Inactive Sleepover (per 8 hours including one active hour)	\$195.50

Dated: 5 June 2018

S. DINMORE
A/Chief Executive

PASTORAL LAND MANAGEMENT AND CONSERVATION ACT 1989

PUBLIC ACCESS ROUTE CLOSURES

Notice of Intent to Re-open Public Access Route Number 13, named Halligan Point

Notice is hereby given of the intent to re-open the Halligan Point Public Access Route from the Oodnadatta Track to Lake Eyre National Park, from 31 May 2018, pursuant to section 45 (7) of the *Pastoral Land Management and Conservation Act 1989*.

Dated: 31 May 2018

ANTHONY FREEBAIRN
Pastoral Board delegate of Section 45 (7) of the *Pastoral Land Management and Conservation Act 1989*
Manager Sustainable Landscapes
SA Arid Lands Region
Department for Environment and Water

PROOF OF SUNRISE AND SUNSET ACT 1923

Almanac for July, August and September 2018

Pursuant to the requirements of the Proof of Sunrise and Sunset Act, 1923, I Julienne Francis TePohe, Acting Chief Executive, Department of Planning, Transport and Infrastructure at the direction of the Honourable the Minister for Transport, publish in the Schedule hereto an almanac setting out the times of sunrise and sunset on every day for the three calendar months July, August and September 2018.

Dated: 1 June 2018

J TEPOHE
Acting Chief Executive
Department of Planning, Transport and Infrastructure

SUNRISE & SUNSET TIMES FOR ADELAIDE 2018

Latitude: South 34° 56'

Longitude: East 138° 36'

GMT +9.50 hours (Daylight saving GMT +10.5 hours)

Date	July		August		September							
	Rise	Set	Rise	Set	Rise	Set						
	hr	min	hr	min	hr	min	hr	min	hr	min	hr	min
1	07	24	17	15	07	10	17	34	06	35	17	57
2	07	24	17	15	07	10	17	35	06	34	17	57
3	07	24	17	16	07	09	17	35	06	33	17	58
4	07	24	17	16	07	08	17	36	06	31	17	59
5	07	24	17	17	07	07	17	37	06	30	17	59
6	07	24	17	17	07	06	17	38	06	29	18	00
7	07	23	17	18	07	05	17	38	06	27	18	01
8	07	23	17	18	07	04	17	39	06	26	18	02
9	07	23	17	19	07	03	17	40	06	24	18	02
10	07	23	17	19	07	02	17	40	06	23	18	03
11	07	23	17	20	07	01	17	41	06	22	18	04
12	07	22	17	20	07	00	17	42	06	20	18	04
13	07	22	17	21	06	59	17	43	06	19	18	05
14	07	21	17	22	06	58	17	43	06	17	18	06
15	07	21	17	22	06	57	17	44	06	16	18	07

16	07	21	17	23	06	55	17	45	06	14	18	07
17	07	20	17	23	06	54	17	46	06	13	18	08
18	07	20	17	24	06	53	17	46	06	12	18	09
19	07	19	17	25	06	52	17	47	06	10	18	09
20	07	19	17	25	06	51	17	48	06	09	18	10
21	07	18	17	26	06	50	17	49	06	07	18	11
22	07	18	17	27	06	48	17	49	06	06	18	12
23	07	17	17	27	06	47	17	50	06	04	18	12
24	07	16	17	28	06	46	17	51	06	03	18	13
25	07	16	17	29	06	45	17	51	06	01	18	14
26	07	15	17	30	06	43	17	52	06	00	18	15
27	07	14	17	30	06	42	17	53	05	59	18	15
28	07	14	17	31	06	41	17	54	05	57	18	16
29	07	13	17	32	06	39	17	54	05	56	18	17
30	07	12	17	32	06	38	17	55	05	54	18	18
31	07	11	17	33	06	37	17	56				

*NOTE: Daylight Saving Time is subject to change.

Sunrise and Sunset times calculated on 17/11/17.

Certified correct (A Dolman): 1 June 2018

South Australia

Planning (Revocation of Open Space Preservation) Proclamation 2018

under section 62 of the *Planning Act 1982*

1—Short title

This proclamation may be cited as the *Planning (Revocation of Open Space Preservation) Proclamation 2018*.

2—Commencement

This proclamation comes into operation on the day on which it is made.

3—Revocation of prohibition

- (1) The prohibition imposed in relation to the prescribed land by a proclamation that has force and effect under section 62 of the *Planning Act 1982* (as continued under section 21 of the *Statutes Repeal and Amendment (Development) Act 1993*) is revoked.
- (2) In subclause (1)—

prescribed land means the land in—

- (a) Certificate of Title Register Book Volume 5410 Folio 817 (being Allotment 42 in Filed Plan 151644); and
- (b) Certificate of Title Register Book Volume 5809 Folio 434 (being Allotment 43 in Filed Plan 151645).

Note—

- (1) The land in Certificate of Title Register Book Volume 5410 Folio 817 was previously the land in Certificate of Title Register Book Volume 3719 Folio 19;
- (2) The land in Certificate of Title Register Book Volume 5809 Folio 434 was previously the land in Certificate of Title Register Book Volume 5410 Folio 818 and Certificate of Title Register Book Volume 3719 Folio 20.

Made by the Governor

with the advice and consent of the Executive Council
on 7 June 2018

MPL18/003CS

South Australia

Development (Designated Osborne Area) Variation Regulations 2018

under the *Development Act 1993*

Contents

Part 1—Preliminary

- 1 Short title
- 2 Commencement
- 3 Variation provisions

Part 2—Variation of *Development Regulations 2008*

- 4 Variation of Schedule 3—Acts and activities that are not development
 - 5 Variation of heading to Schedule 32
 - 6 Insertion of Schedule 33
- Schedule 33—Map of additional part of designated Osborne area
-

Part 1—Preliminary

1—Short title

These regulations may be cited as the *Development (Designated Osborne Area) Variation Regulations 2018*.

2—Commencement

These regulations come into operation on the day on which they are made.

3—Variation provisions

In these regulations, a provision under a heading referring to the variation of specified regulations varies the regulations so specified.

Part 2—Variation of *Development Regulations 2008*

4—Variation of Schedule 3—Acts and activities that are not development

- (1) Schedule 3, clause 20(1)(a)—delete paragraph (a) and substitute:
 - (a) development—
 - (i) for the purposes of car parks and pedestrian bridges over a railway; and
 - (ii) involving the temporary placement of soil and other materials related to development in the vicinity of the designated Osborne area for the purposes of constructing a facility for the making of ships or a facility for the making of submarines (or both);

- (2) Schedule 3, clause 20(2), definition of *designated Osborne area*—delete the definition and substitute:

designated Osborne area—the designated Osborne area is comprised of—

- (a) the area designated as "car park" in the map set out in Schedule 32; and
- (b) the area designated as "car park" in the map set out in Schedule 33.

5—Variation of heading to Schedule 32

Heading to Schedule 32—before "designated" insert:

initial part of

Note—

As required by section 10AA(2) of the *Subordinate Legislation Act 1978*, the Minister has certified that, in the Minister's opinion, it is necessary or appropriate that these regulations come into operation as set out in these regulations.

Made by the Governor

with the advice and consent of the Executive Council
on 7 June 2018

No 70 of 2018

DPC18/032CS

RULES OF COURT

SOUTH AUSTRALIA

Supreme Court Civil Supplementary Rules 2014 (Amendment No 9)

By virtue and in pursuance of section 72 of the *Supreme Court Act 1935* and all other enabling powers, we, Judges of the Supreme Court of South Australia, make the following *Supreme Court Civil Supplementary Rules 2014 (Amendment No 9)*.

1. These Rules may be cited as the *Supreme Court Civil Supplementary Rules 2014 (Amendment No 9)*.
2. The amendments made by these Rules come into effect on 7 June 2018 or the date of their gazettal, whichever is later.
3. The *Supreme Court Civil Supplementary Rules 2014* are amended as set out below.
4. Any person who has at the date on which these Rules come into effect an extant application for appointment to the office of senior counsel may re-submit or supplement his or her application in conformance with Part 12 of Chapter 17 of the *Supreme Court Civil Supplementary Rules 2014* as amended by these Rules.
5. Part 12 of Chapter 17 of the *Supreme Court Civil Supplementary Rules 2014* is deleted and replaced with the following:

“Part 12— Senior Counsel**331 - Introduction**

- (1) This Part deals with the procedure for the appointment of Senior Counsel in the State of South Australia.
- (2) Appointment to the office of Senior Counsel shall be made by the Chief Justice on behalf of the Court.

332 - Senior Counsel

- (1) A person admitted to the office of Senior Counsel in accordance with this Part is a person whom the Court regards as having proven himself or herself to be an advocate of high skill, integrity, professional judgment, and independence justifying an expectation on the part of the public and the judiciary generally that, as Senior Counsel, he or she will provide outstanding service in the course of the administration of justice.
- (2) Senior Counsel should exhibit:
 - (a) eminence in the practice of the law, especially in advocacy, where eminence is to be understood as including:
 - (i) the possession of a high intellectual capacity, comprehensive and up to date knowledge of the law and procedures in his or her chosen field of practice, and of legal method, and a demonstrated commitment to the provision of the highest level of service and the pursuit of excellence;
 - (ii) the possession of proven skill and judgment in the presentation and testing of litigants’ cases in adversarial proceedings, so as to enhance the likelihood of just outcomes and serve the public interest;
 - (iii) a perspective and knowledge of legal practice usually acquired over a considerable period derived from a practice that evidences:
 - experience in contested matters, especially trials;
 - experience in arguing cases on appeal;
 - experience in conducting major cases in which the other party is represented by Senior Counsel;
 - considerable practice in giving advice in specialist fields of law;
 - a position of leadership, either generally or in a specialist jurisdiction;
 - (b) standing and leadership, evidenced by:
 - (i) contribution to the legal profession, its organisations and institutions and the administration of justice more generally;
 - (ii) the making of a significant contribution to legal education;
 - (iii) a practice of mentoring junior members of the profession;
 - (iv) the making of a significant contribution to the community as a legal practitioner;
 - (c) integrity evidenced by:
 - (i) a history of honesty, candour, discretion and plain dealing with the courts, professional colleagues and clients;
 - (ii) independence of mind and moral courage;
 - (iii) professional standing, namely having the respect of the judiciary and the profession with respect to observing duties to the courts and to the administration of justice, while preparing and presenting a client’s case with dedication and skill, and having the trust and confidence of professional colleagues;
 - (v) maturity of judgment and balance based on many years practice of the law;
 - (d) independence including objectivity and detachment and the ability and courage to give advice and to make decisions that serve the best interests of the client and the administration of justice;
 - (e) availability in that he or she has adopted a mode of practice that ensures that his or her services are available generally to prospective clients and are not unduly restricted by client or business relationships. This does not preclude the acceptance of a general or special retainer on behalf of a client. Senior Counsel must honour the duty to accept briefs to appear within their area of practice and for which they are available, regardless of personal opinions about the parties or about the causes, and subject only to exceptions relating to appropriate fees and conflicting obligations. The criterion of availability does not apply to exceptions holding a statutory office or in the employment of the Crown or the Legal Services Commission;
 - (f) a commitment to fairness and equity in the affairs of the legal profession evidenced by:
 - a practice of advancing the provision of equal opportunities to all members of the legal profession;
 - a practice of providing legal assistance on a *pro bono* or similar basis or other legal related community service.

333 - Timing of application

- (1) An application for appointment to the office of Senior Counsel is to be lodged with the Chief Justice by 30 June of the year in which the application is to be considered.

- (2) An applicant who is unsuccessful in the year of application will be reconsidered in the following year, but not in subsequent years without further application being made.
- (3) An applicant may submit a revised application for consideration before 30 June of the following year. An applicant who is unsuccessful in two consecutive years may submit a fresh application in a subsequent year.

334 - Form and content of an application

- (1) The application in pdf format is to be lodged with the Chief Justice by email sent to:

chambers.chiefjustice@courts.sa.gov.au

The file should be named by the applicant's surname followed by the applicant's initial(s);

Example: SMITH, J.pdf.

The subject of the email should be 'Senior Counsel Application'.

- (2) An application must provide the following:

Part A: Formal Particulars

- (i) title, given name, middle name or names and surname;
- (ii) date of birth;
- (iii) address (including postcode) and email address;
- (iv) academic qualifications;
- (v) date, month and year of admission in the first jurisdiction in which the applicant was admitted to practise and in South Australia;
- (vi) date of joining the independent bar (if applicable);
- (vii) year of first application for Senior Counsel and year(s) of previous applications

Part B: Areas of Practice

A narrative description of the applicant's practice including main areas of practice and the courts or tribunals in which she or he predominantly practices.

Part C: Details of Recent Cases

- (1) Details of the cases involving substantial disputes of fact or law in which the applicant was involved in the 18 month period immediately preceding the due date for the application and in relation to each case:
 - (a) the name of the parties and, if available, its citation;
 - (b) the name of the judicial officer, tribunal or arbitrator (or if applicable mediator) before whom the matter was conducted;
 - (c) the name of any counsel who led the applicant or whom the applicant led;
 - (d) the name of opposing counsel;
 - (e) the name of the applicant's instructing solicitor.
- (2) A brief precis of five cases (or if the applicant so chooses not more than 10 cases) in which the applicant was engaged in the last two years that the applicant considers evidence her or his attainment of the standard of Senior Counsel.

Part D: Supporting Submission

A statement of the reasons why the applicant considers that she or he is suitable for appointment to the office of Senior Counsel. Here the applicant should address all the criteria set out in rule 332(2).

In support of the application an applicant may refer to cases falling outside the 18 month period referred to in Part C (1) and should state why the cases referred to in Part C (2) evidence attainment of the standard of Senior Counsel.

Part E: Complaint History

Details of any disciplinary complaints made and upheld, unresolved complaints, convictions for serious offences and any finding of professional negligence against the applicant, any notification to the applicant's professional indemnity insurer, any costs order made against the applicant personally occasioned by the applicant's conduct and any bankruptcy (providing details). If there is any other matter that may disqualify an applicant from appointment to the office of Senior Counsel, even if the applicant contends that it does not, it should be disclosed out of an abundance of caution.

Part F: References

- (1) The following by way of references:
 - (a) The names of three judicial officers before whom the applicant has appeared in any of the matters subject of the cases set out in Part C above whom the advisory committee may consult. Applicants should not approach the judges whom they propose to name before doing so. The judges so named may be approached by the advisory committee and asked to give their opinion upon the question whether the applicant has displayed the qualities of Senior Counsel as set out in rule 332(2) and is worthy of consideration for appointment as Senior Counsel. The advisory committee will explain to judges approached the circumstances and the purpose of the nomination. Applicants are required to list the cases (with dates and citations) in which they appeared before their nominated judicial referees.
 - (b) The names of two non-judicial referees, who may be a barrister, solicitor, corporate counsel, arbitrator or mediator, who has direct, recent professional experience of the applicant's work. This referee may be approached by the advisory committee and asked to comment on whether the applicant displayed the qualities of Senior Counsel as set out in rule 332(2) and is worthy of consideration for appointment as Senior Counsel.
- (2) Applicants should not submit the names of any additional referees or any written references with the application form.

- (3) The advisory committee may consult any of the referees identified in accordance with subparagraphs (1) and (2) above or any of the judicial officers involved in the matters to which the applicant refers in the course of complying with rule 334C(1) and (2).

Part G. Certifications and acknowledgements

The following certifications and acknowledgements:

I certify that the information provided in this application is correct to the best of my knowledge and belief and that there are no other matters of which I am aware that may provide a reason why I should not be appointed Senior Counsel.

I acknowledge that the Chief Justice, the Court, the advisory committee and persons the advisory committee may consult may make enquiries of the persons referred to in the application and such other persons as it or they think fit in relation to my application. I authorise such enquiries to be made and acknowledge that it will be done on a confidential basis and that the information received from such enquiries and provided by such third parties is confidential as against me and I cannot require disclosure of it.

I agree to confidential enquiries being made of the Legal Profession Conduct Commissioner or any other regulatory body about any matter or circumstances, either past or anticipated, that may adversely affect my fitness or propriety to hold an appointment as Senior Counsel. I agree that the Legal Profession Conduct Commissioner and any such other regulatory body as may be consulted may provide to the advisory committee and the Chief Justice, on a confidential basis, all information necessary to answer such enquiries.

I undertake to notify the Chief Justice in the event that any new matter arises that would be required to be disclosed in this application.

- (3) No other documents are to be included, and the application is not to exceed 15 pages in length.
- (4) The content of an application, the information received during consultation and any report thereon will be treated as confidential by the Court and will only be disclosed to the extent necessary to enable the processes of consultation referred to in this Division to occur. The fact of making the application and the name of the applicant are not confidential.

335 - Fee

Prior to 30 June an applicant must attend at the Supreme Court registry and pay any application fee prescribed by regulation. Where an application fee has been prescribed, failure to pay the fee will result in the applicant's application being rejected. The fee is not refundable.

336 - Procedure

- (1) As soon as practicable after 30 June in each year, the Chief Justice will:
- (a) provide a list of the current year's applicants and copies of the relevant applications, including revised applications, to:
- (i) the Attorney-General;
 - (ii) Judges and Masters of the Supreme Court;
 - (iii) the senior resident Judge of the Federal Court of Australia;
 - (iv) the senior resident Judge of the Family Court of Australia;
 - (v) the senior resident Judge of the Federal Circuit Court;
 - (vi) the Chief Judge of the District Court;
 - (vii) the President of the South Australian Employment Tribunal;
 - (viii) the Chief Magistrate of the Magistrates Court;
 - (ix) the Deputy President of the Administrative Appeals Tribunal;
 - (x) the National President, Australian Association of Women Judges;
 - (xi) the Solicitor-General;
 - (xii) the Director of Public Prosecutions;
 - (xiii) the Chief Counsel of the Legal Services Commission;
 - (xiv) the President of the South Australian Bar Association;
 - (xv) the President of the Law Society of South Australia;
 - (xvi) the President of the Women Lawyers' Association of SA Inc;
 - (xvii) the Chair of the Women at the Bar Committee of the South Australian Bar Association;
- (b) assemble an advisory committee (*the advisory committee*) constituted of three justices of the Supreme Court appointed by the Chief Justice at least one of whom must be female;
- (c) upon receiving the report referred to in rule 336(2)(iii) from the advisory committee convene a meeting of the Judges and Masters of the Court to consider the report and determine which applicants shall be appointed to the office of Senior Counsel.
- (2) The advisory committee:
- (i) may reject any applications not received by 5.00pm on 30 June in the year in which the application is to be considered;
 - (ii) may reject any applications in respect of which any fee payable as referred to in rule 335 has not been paid by 5.00pm on 30 June in the year in which the application is to be considered;
 - (iii) will consult:
 - a. with:
 - the Attorney-General;
 - the Solicitor-General;
 - the Director of Public Prosecutions;

- the Chief Counsel of the Legal Services Commission;
 - the South Australian nominee of the National President, Australian Association of Women Judges;
 - the President of the Women Lawyers' Association of SA Inc;
 - the Chair of the Women at the Bar Committee of the South Australian Bar Association;
- b. with the Chief Magistrate, the senior resident Judge of the Federal Circuit Court, the senior resident Judge of the Family Court of Australia, the President of the South Australian Employment Tribunal, the Deputy President of the Administrative Appeals Tribunal;
- c. with the Judges and Masters of the District Court;
- d. with the resident Judges of the Federal Court of Australia;
- e. with any other judicial officer referred to by an applicant not included above or with whom, having regard to an applicant's application, the advisory committee considers it appropriate to consult;
- f. with the President of the South Australian Bar Association and the President of the Law Society of South Australia;
- together or separately as the advisory committee sees fit.
- (iv) must report in writing to the Chief Justice by 30 September on the outcome of the consultation process and the suitability of all applicants for appointment to office of Senior Counsel;
- (v) may seek further information from an applicant but only if it is necessary to an understanding of any part or parts of an application or it is considered necessary to provide the applicant with procedural fairness;
- (vi) may consult further with any of those referred to in (iii) above if the advisory committee thinks it appropriate.
- (3) It is expected that the following persons will consult as specified in the following sub-paragraphs:
- (a) in the case of each of the Presidents of the South Australian Bar Association, the Law Society of South Australia and the Women Lawyers' Association of SA Inc, and the Chair of the Women at the Bar Committee of the South Australian Bar Association - his or her council or executive and such other members as he or she considers appropriate;
- (b) in the case of each head of another jurisdiction with the exception of the Federal Court of Australia and the District Court — judicial officers of that jurisdiction before whom the applicant has appeared.
- (4) All consultations should be undertaken with discretion, respecting as far as possible the privacy of applicants, and should answer the question whether, having regard to the criteria set out in rule 332(2), the applicant is a suitable person for appointment to the office of Senior Counsel.

337 - Appointment

- (1) The Chief Justice will inform each applicant in writing of the outcome of her or his application.
- (2) Appointments will be made under the hand of the Chief Justice by an instrument in writing bearing the seal of the Supreme Court and will, if practicable, be announced no later than 31 October of each year.
- (3) The appointment of Senior Counsel will be announced publicly, and will be published in the South Australian Government Gazette.

338 – Applicants Aggrieved

- (1) An unsuccessful applicant will not be provided with reasons.
- (2) A member of the advisory committee may, upon the request of an unsuccessful applicant, meet with the applicant to discuss the application and the reason for its refusal.

339 - Seniority

Senior Counsel rank in seniority according to the date of their appointment, and in the case of persons appointed on the same date, by the date of their admission and in the case of persons admitted on the same date, by alphabetical order of their surnames.

340 - Undertaking

A Senior Counsel, by seeking and achieving appointment, undertakes:

- (a) to confine the nature of his or her practice to the type of work usually performed by Senior Counsel and to do so in a manner consistent with the standards reflected in the criteria for appointment;
- (b) to use the designation only while her or she remains a practising barrister in sole practice or retained under statute by the Crown, or during temporary appointments in a legal capacity to a court, tribunal or statutory body, or in retirement from legal practice;
- (c) that, if he or she practises in future as a solicitor or in partnership or association with a solicitor, he or she will not permit partners or associates to attribute to him or her, in connection with such legal practice, the title SC or Senior Counsel or any other indicia of the Office of Senior Counsel;
- (d) to disclose in writing to the Chief Justice as soon as practicable the result of disciplinary proceedings taken against him or her after appointment or any conviction for a serious offence or bankruptcy after his or her appointment.

341 - Attire

Subject to the requirements and permission of particular courts, tribunals and other jurisdictions, Senior Counsel are to wear the court dress generally worn by Senior Counsel (see supplementary rule 58).

342 - Title and use of post nominals

- (1) A person appointed as Senior Counsel will be entitled to the appellation of Senior Counsel and to the use of the abbreviation "SC" after her or his name.
- (2) A person holding the office of Queen's Counsel in and for the State of South Australia is entitled to adopt the appellation of Senior Counsel and to be recognised as such upon giving notice of such adoption and upon giving notice of resignation from the office of Queen's Counsel to the Chief Justice for transmission to His Excellency the Governor. Any such Queen's Counsel will be entitled to be recognised as Senior Counsel from the date of such notice, but will take precedence as and be deemed to hold office as Senior Counsel in accordance with the date of his or her appointment as Queen's Counsel.

- (2) A person holding the office of Queen's Counsel in and for the State of South Australia is entitled to retain the style or appellation of Queen's Counsel and will take precedence in accordance with the date of his or her appointment as Queen's Counsel.

343 - Interstate Queen's Counsel and Senior Counsel

- (1) A Queen's Counsel and Senior Counsel appointed as such elsewhere in Australia will be accorded in the courts of this State the title under which he or she practises in the jurisdiction in which he or she was appointed and the status and privileges of Senior Counsel in this State, without the necessity of obtaining a separate appointment as Senior Counsel or Queen's Counsel in South Australia.
- (2) Such a person will rank in seniority according to his or her date of appointment as Queen's Counsel or Senior Counsel in the first jurisdiction in which he or she was so appointed.

344 - Resignation

A Senior Counsel may resign her or his appointment by writing, signed by counsel and delivered to the Chief Justice.

345 - Revocation

- (1) The Chief Justice may revoke an appointment as Senior Counsel, including that of a person previously appointed as Queen's Counsel in and for the State of South Australia who has adopted the style or appellation of Senior Counsel, if—
- (a) in a disciplinary proceeding the Supreme Court, the Legal Practitioners Disciplinary Tribunal or the Commissioner finds the person guilty of conduct that, in the opinion of the Chief Justice, is incompatible with the office of Senior Counsel;
- (b) in the opinion of the Chief Justice that person has acted or practised in a manner incompatible with the office of Senior Counsel; or
- (c) in the opinion of the Chief Justice that person is otherwise unfit to hold the office of Senior Counsel.
- (2) Before exercising the power conferred by this supplementary rule, the Chief Justice will give the person concerned an opportunity to show cause why his or her appointment or recognition should not be revoked.
- (3) The revocation or resignation of an appointment will be published in the South Australian Government Gazette.

347 - Devolution of functions

If the Chief Justice is temporarily unable to perform the duties of the office or is disqualified from discharging his or her functions under this Part, the powers of the Chief Justice devolve upon the senior puisne Judge."

GIVEN under our hands and the Seal of the Supreme Court of South Australia

Dated: 28 May 2018

S. DOYLE, J
M. F. BLUE, J
C. KOURAKIS, CJ

CITY OF BURNSIDE

Adoption of Altered Naming of Public Places Policy

NOTICE is hereby given that at its meeting on Tuesday 8 May 2018 the City of Burnside resolved (C11682) to adopt an altered Naming of Public Places Policy pursuant to section 219 of the Local Government Act 1999.

A copy of the Policy is available for public inspection on Council's website www.burnside.sa.gov.au or at Civic Centre, 401 Greenhill Road, Tasmore SA.

PAUL DEB
Chief Executive Officer

CITY OF SALISBURY

LOCAL GOVERNMENT ACT 1999

Revocation of Community Land Classification

Pursuant to Section 194 of the Local Government Act 1999(2) (b), The City of Salisbury proposes to revoke the Community Land classification from a portion of Community Land.

The City of Salisbury is the registered owner of the land described as Edinburgh Reserve South, Allotment 905 in Deposited Plan 75400, described in Certificate of Title Volume 5997 Folio 904. A portion measuring approximately 2.1 square meters is required to be to be revoked of its Community Land Classification for the purpose of entry and egress for the adjacent portion of land at 97-99 West Avenue, Edinburgh.

A copy of the plans detailing the proposals and location are available for public inspection at Council's Operations Centre at 120 Cross Keys Road, Salisbury South.

Any objection to the proposal must set out the full name and address of the person making the objection and must be fully supported by reasons.

Any submissions must be made in writing prior to the 27th June 2018 to the Council at PO Box 8 Salisbury SA 5108.

Where submissions are made Council will give notification of a meeting to deal with the matter.

Enquiries may be directed to Mr Tim Starr (08) 8406 8577 or Ms Liz Lynch on (08) 8406 8216 or by email to elynch@salisbury.sa.gov.au

Dated: 30 May 2018

JOHN HARRY
Chief Executive Officer

ADELAIDE PLAINS COUNCIL

Declaration of Townships

NOTICE is hereby given that at its meeting held on 21 May 2018 and pursuant to Section 4 of the Local Government Act 1999, Council resolved to declare the local government townships of Dublin, Mallala and Two Wells, the boundaries of which are shown on Rack Plan 1344 (Dublin), 1345 (Mallala) and 1349 (Two Wells), deposited in the Office of the Surveyor-General.

Copies of the plans can be viewed at Council's Principal Office, 2a Wasleys Road, Mallala and the Two Wells Service Centre, 69 Old Port Wakefield Road, Two Wells or at the Office of the Surveyor-General, 101 Grenfell Street, Adelaide and can also be viewed on Council's website (www.apc.sa.gov.au).

J. MILLER
Chief Executive Officer

COPPER COAST COUNCIL

ROADS (OPENING AND CLOSING) ACT 1991

Road Closure – Portion of Queen Place, Moonta Bay

Notice is hereby given, pursuant to section 10 of the Roads (Opening and Closing) Act 1991, that the Copper Coast Council proposes to make a Road Process Order to close portion of Queen Place, Moonta Bay as delineated and lettered 'A' and 'B' on the Preliminary Plan No. 18/0016.

Closed road 'A' is to merge with adjoining allotment 10 in D35513.

Closed road 'B' is to merge with adjoining allotment 3 in F148220.

A copy of the plan and a statement of persons affected are available for public inspection at the Council Office, 51 Taylor Street, Kadina S.A. 5554 and the Adelaide Office of the Surveyor-General during normal office hours.

Any application for easement or objection must set out the full name, address and details of the submission and must be fully supported by reasons.

The application for easement or objection must be made in writing to the Council P.O. Box 396, Kadina S.A. 5554 within 28 days of this notice and a copy must be forwarded to the Surveyor-General at GPO Box 1354 Adelaide 5001. Where a submission is made, the Council will give notification of a meeting at which the matter will be considered.

Dated: 7 June 2018

PETER HARDER
Chief Executive Officer

NATIONAL ELECTRICITY LAW

The Australian Energy Market Commission (AEMC) gives notice under the National Electricity Law as follows:

Under ss 102 and 103, the making of the *National Electricity Amendment (Reliability Panel governance arrangements) Rule 2018 No. 6* (Ref. ERC0233) and related final determination. All provisions commence on **1 July 2018**.

Under s 95, Australian Energy Market Operator has requested the *Global settlement and market reconciliation* (Ref. ERC0240) proposal. The proposal seeks to apply a global settlement framework to the demand side of the wholesale electricity market. Submissions must be received by **5 July 2018**.

Submissions can be made via the AEMC's website. Before making a submission, please review the AEMC's privacy statement on its website. Submissions should be made in accordance with the AEMC's *Guidelines for making written submissions on Rule change proposals*. The AEMC publishes all submissions on its website, subject to confidentiality.

Written requests should be sent to submissions@aemc.gov.au and cite the reference in the title. Before sending a request, please review the AEMC's privacy statement on its website.

Documents referred to above are available on the AEMC's website and are available for inspection at the AEMC's office.

Australian Energy Market Commission
Level 6, 201 Elizabeth Street
Sydney NSW 2000
Telephone: (02) 8296 7800
www.aemc.gov.au

Dated: 7 June 2018

NATIONAL GAS LAW

The Australian Energy Market Commission (AEMC) gives notice under the National Gas Law as follows:

Under s 308, the making of a draft determination and related draft rule on the *Cross period revenue smoothing (Gas)* (Ref. GRC0043) proposal. Written requests for a pre-determination hearing must be received by **14 June 2018**. Submissions must be received by **19 July 2018**.

Submissions can be made via the AEMC's website. Before making a submission, please review the AEMC's privacy statement on its website. Submissions should be made in accordance with the AEMC's *Guidelines for making written submissions on Rule change proposals*. The AEMC publishes all submissions on its website, subject to confidentiality.

Written requests should be sent to submissions@aemc.gov.au and cite the reference in the title. Before sending a request, please review the AEMC's privacy statement on its website.

Documents referred to above are available on the AEMC's website and are available for inspection at the AEMC's office.

Australian Energy Market Commission
Level 6, 201 Elizabeth Street
Sydney NSW 2000
Telephone: (02) 8296 7800
www.aemc.gov.au

Dated: 7 June 2018

TRUSTEE ACT 1936

PUBLIC TRUSTEE

Estates of Deceased Persons

In the matter of the estates of the undermentioned deceased persons:

BROKENSHIRE Kaylene Gladys late of 6 North Terrace Stirling North Home Duties who died 20 December 2017
BUSSENSCHUTT Bruce John late of Lot 15 Cameron Street Kapunda of no occupation who died 20 January 2018
CANTERBURY Evelyn June late of 95-97 Awoonga Road Hope Valley Retired Process Clerk who died 16 January 2018
COCKS Alan Arnold late of 1 Burns Street Waikerie Retired Geologist who died 10 January 2018
DANSIE Lloyd Francis late of 39 Campus Drive Aberfoyle Park Retired Butcher who died 27 February 2018
FULLARTON Cynthia Jessie late of 238 The Terrace Port Pirie West of no occupation who died 24 March 2018
GREENWAY Eli Samuel late of 10 Press Road Brooklyn Park of no occupation who died 16 September 2017
HARDWICKE Mavis Elizabeth late of 2 Thomas Street Nailsworth Retired Book Binder who died 12 March 2018
HOIJER Ingrid Gunilla late of 39 Fisher Street Myrtle Bank of no occupation who died 12 November 2017
JACQUIER Darryl Milton late of 1099 Grand Junction Road Hope Valley of no occupation who died 28 November 2017
KRAJNYAK Jennifer Dawn late of Lot 1812 William Creek Road Coober Pedy of no occupation who died 29 October 2007
SEIBOTH Leslie Graham late of 77 Sydenham Road Norwood Storeman Packer who died 16 January 2018
TAYLOR Kermit Thomas late of 34 Norman Terrace Everard Park Retired Technical Officer who died 28 January 2018
WILLIAMS Mervyn Douglas late of 18 Cross Road Myrtle Bank of no occupation who died 26 January 2018
WOODCOCK Barry Rayner late of 10 Third Street Port Pirie West Retired Engineer who died 3 December 2017

Notice is hereby given pursuant to the Trustee Act 1936, the Inheritance (Family Provision) Act 1972 and the Family Relationships Act 1975 that all creditors, beneficiaries, and other persons having claims against the said estates are required to send, in writing, to the office of Public Trustee at GPO Box 1338, Adelaide, 5001, full particulars and proof of such claims, on or before the 6 July 2018 otherwise they will be excluded from the distribution of the said estate; and notice is also hereby given that all persons indebted to the said estates are required to pay the amount of their debts to the Public Trustee or proceedings will be taken for the recovery thereof; and all persons having any property belonging to the said estates are forthwith to deliver same to the Public Trustee.

Dated: 5 June 2018

N S RANTANEN
Acting Public Trustee

NOTICE SUBMISSION

Notices for publication must be submitted before 4 p.m. Tuesday, the week of intended gazettal.

Proofs of formatted content are supplied for all notice submissions. Alterations must be returned before 4 p.m. Wednesday.

The *SA Government Gazette* is compiled and published each Thursday. Requests to withdraw submitted notices must be received before 10 a.m. on the day of publication.

Gazette notices should be emailed as Word files—and signed PDF files if applicable—in the following format:

- Title (name of the governing legislation/department/organisation)
- Subtitle (description of notice)
- A structured body of text
- Date of authorisation
- Name, position, and department/organisation of the authorising person

Please provide the following information in your email:

- Date of intended gazettal
- Details that may impact on publication of the notice
- Email address and phone number of the person authorising the submission
- Name of the person and organisation to be charged for the notice, if applicable
- Request for a quote, if required
- Purchase order, if required

EMAIL: governmentgazettesa@sa.gov.au

PHONE: (08) 8207 1025

WEBSITE: www.governmentgazette.sa.gov.au